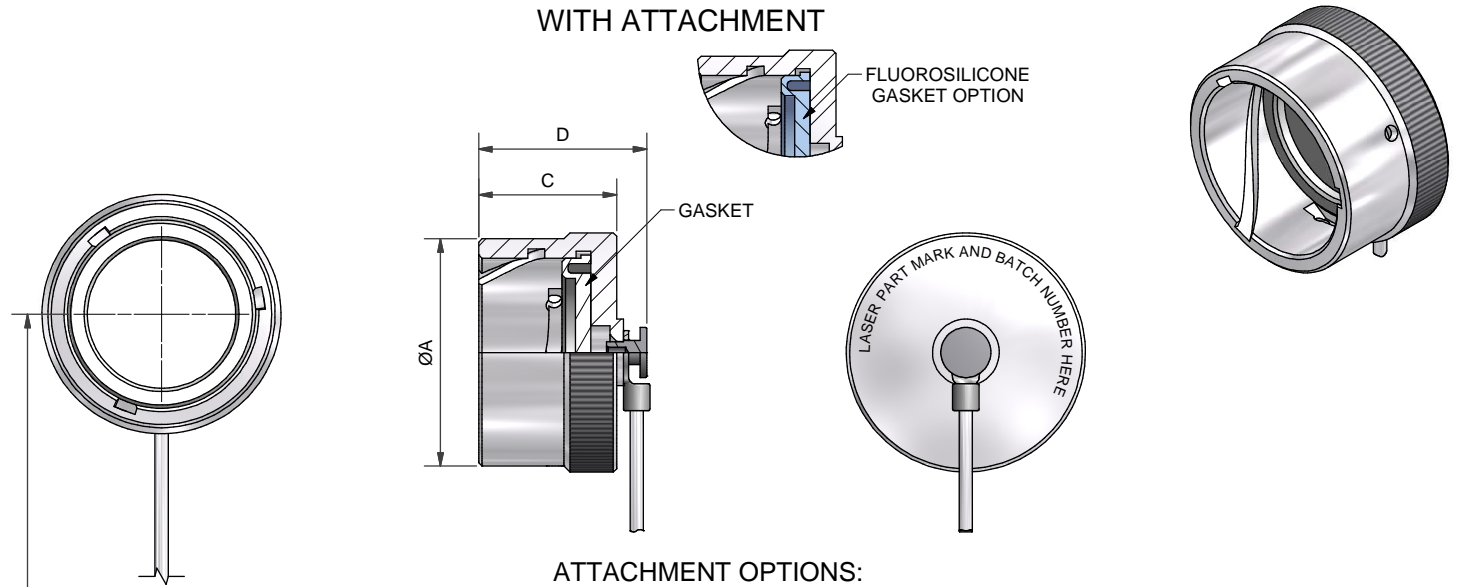
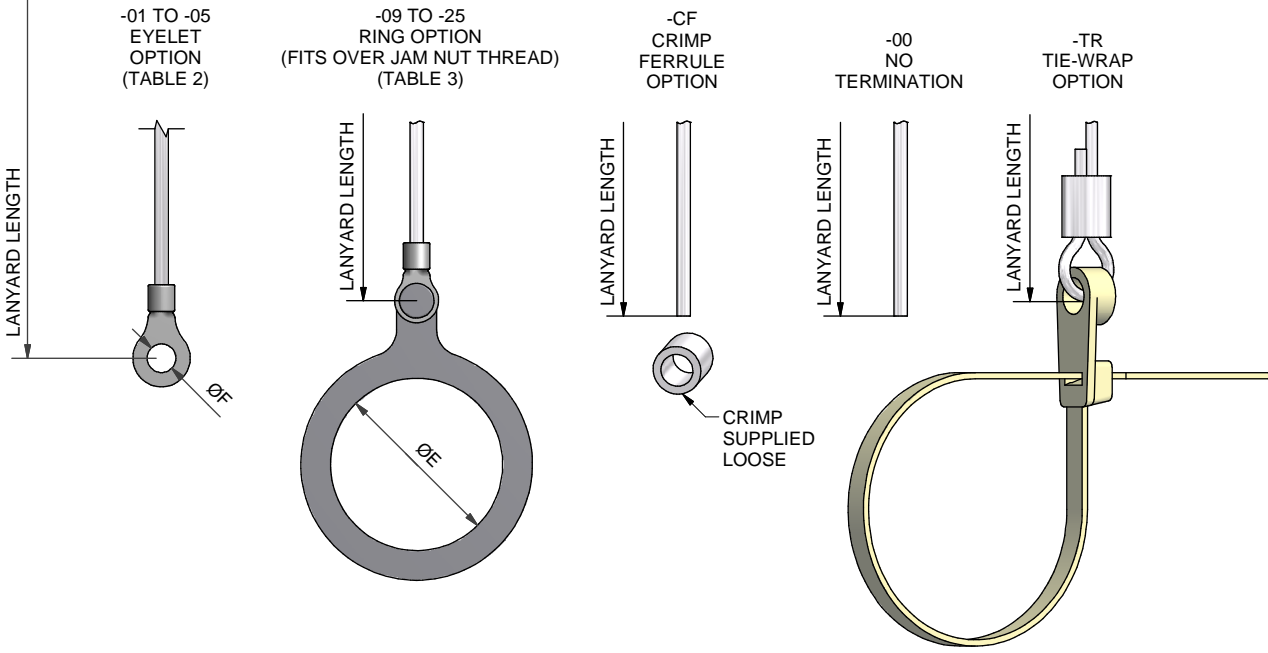


WITH ATTACHMENT



ATTACHMENT OPTIONS:



OMIT FOR NO ATTACHMENT (SEE SHEET 2)

PRC27502-17-1-D-NK5-03

- SERIES \_\_\_\_\_
- INSERT F FOR \_\_\_\_\_
- FLUOROSILICONE GASKET (OMIT FOR STANDARD SILICONE GASKET)
- INSERT C FOR (NOTE 1) \_\_\_\_\_
- CONDUCTIVE GASKET (OMIT FOR STANDARD SILICONE GASKET)
- SHELL SIZE (TABLE 1) \_\_\_\_\_
- MATERIAL (TABLE 5) \_\_\_\_\_
- FINISH (TABLE 6) \_\_\_\_\_
- LANYARD TYPE (TABLE 4) \_\_\_\_\_
- LANYARD LENGTH (IN INCHES) \_\_\_\_\_
- +1,0"/-0" TOLERANCE
- ATTACHMENT (SEE ABOVE) \_\_\_\_\_

NOTE 1:  
CONDUCTIVE SILICONE GASKET OPTION:  
GASKET MATERIAL CONDUCTIVE SILICONE  
LOADED WITH SILVER PLATED ALUMINIUM

|                                  |                           |  |  |  |   |
|----------------------------------|---------------------------|--|--|--|---|
| <b>DRAWN</b><br>K.WINCZURA       | <b>DATE</b><br>12/02/2014 | <p>3RD ANGLE PROJECTION<br/>NOT TO SCALE</p>   | <p><b>POLAMCO LTD</b><br/>www.polamco.com</p>        | <p>WESTON LOCK<br/>LOWER BRISTOL ROAD<br/>BATH BA2 1EP</p> | <p>THIS DRAWING IS<br/>COPYRIGHT AND THE<br/>PROPERTY OF<br/>POLAMCO LTD<br/>IT MUST NOT BE COPIED,<br/>USED FOR MANUFACTURE<br/>OR OTHERWISE DISCLOSED<br/>WITHOUT PRIOR WRITTEN<br/>CONSENT OF THE COMPANY.</p> |
| <b>SALES APPR</b>                | 12/02/2014                |  |  |  |   |
| <b>DESIGN APPR</b><br>K.SHEPPARD | 15/05/2013                | <p>UNLESS OTHERWISE SPECIFIED<br/>ALL DIMENSIONS IN MILLIMETRES<br/><b>GENERAL TOL</b><br/>LINEAR +/-0.25MM<br/>ANGULAR +/- 1°</p> | <p><b>ASSY USED ON: MIL-DTL-38999 SERIES I</b></p>   |  |   |
| <b>PROD APPR</b>                 |                           |  | <p><b>TITLE:</b><br/>RECEPTACLE PROTECTION COVER</p> |  |   |
| <b>QUAL APPR</b>                 |                           | <p><b>MATERIAL</b><br/>SEE TABLE 5</p>   | <p><b>PART NUMBER:</b><br/>PRC27502 SERIES</p>       |  |   |
| <b>ISSUE</b><br>2                | DCR<br>3969               |  | <p><b>FINISH</b><br/>SEE TABLE 6</p>                 | <p>DRAWING NO: SHT<br/>P25948 1</p>                        |   |
| <p>NCAGE CODE U5792</p>          |                           | <p>WEIGHT<br/>---</p>  |  |  |   |

TABLE 1

| SHELL SIZE | ØA MAX | C MAX | D MAX |
|------------|--------|-------|-------|
| 09         | 21,84  | 20,82 | 26,42 |
| 11         | 24,89  | 20,82 | 26,42 |
| 13         | 29,46  | 20,82 | 26,42 |
| 15         | 32,51  | 20,82 | 26,42 |
| 17         | 35,81  | 20,82 | 26,42 |
| 19         | 38,61  | 20,82 | 26,42 |
| 21         | 41,91  | 20,82 | 26,42 |
| 23         | 44,96  | 20,82 | 26,42 |
| 25         | 48,00  | 20,82 | 26,42 |

TABLE 2

| EYELET REF. | ØF  |
|-------------|-----|
| 01          | 3,2 |
| 02          | 3,7 |
| 03          | 4,3 |
| 04          | 5,3 |
| 05          | 6,4 |

TABLE 3

| RING REF. | ØE   |
|-----------|------|
| 09        | 18,0 |
| 11        | 21,4 |
| 13        | 25,8 |
| 15        | 28,8 |
| 17        | 32,0 |
| 19        | 35,0 |
| 21        | 38,3 |
| 23        | 41,7 |
| 25        | 44,6 |

TABLE 4

| CODE | LANYARD TYPE  |
|------|---|
| WR   | NYLON COVERED (CLEAR) STAINLESS STEEL WIRE ROPE       |
| TC   | TEFLON COVERED (CLEAR) STAINLESS STEEL WIRE ROPE      |
| WG   | TEFLON COVERED (OLIVE DRAB) STAINLESS STEEL WIRE ROPE |
| WB   | TEFLON COVERED (BLACK) STAINLESS STEEL WIRE ROPE      |
| WRB  | PVC COVERED (BLACK) STAINLESS STEEL WIRE ROPE         |
| LC   | LINK CHAIN  |
| BK   | BLACK CORD  |
| VGB  | 1,5mm BLACK POLYESTER CORD EQV. TO DIN83330-E1,5      |
| B    | BEAD CHAIN  |
| R    | OLIVE DRAB POLYESTER CORD                             |
| NB   | OLIVE DRAB NYLON CORD                                 |
| NK   | BLACK NYLON CORD                                      |

TABLE 5

| CODE | MATERIAL                |
|------|-------------------------|
| 1    | ALUMINIUM               |
| 2    | NICKEL ALUMINIUM BRONZE |
| 4    | STAINLESS STEEL         |
| 7    | BLACK ACETAL            |
| 74   | COMPOSITE               |

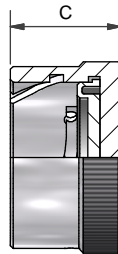
LIST NOT EXHAUSTIVE, SEE MATERIAL TABLE FOR OTHER OPTIONS

TABLE 6

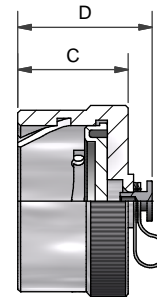
| CODE | DESCRIPTION   |
|------|---|
| B    | CADIUM, OLIVE DRAB OVER ELECTROLESS NICKEL          |
| C    | ELECTROLESS NICKEL                                  |
| G    | BLACK ANODISE, SULPHURIC                            |
| J    | PASSIVATE   |
| U    | UNPLATED CLEAN FINISH NOT SHOT BLASTED              |
| Z    | SHOT BLAST FOR NON-REFLECTIVE FINISH                |
| ZB   | ZINC COBALT OLIVE DRAB OVER ELECTROLESS NICKEL      |
| ZN   | ZINC NICKEL BLACK PASSIVATE OVER ELECTROLESS NICKEL |

LIST NOT EXHAUSTIVE, SEE PLATING TABLE FOR OTHER OPTIONS

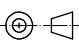

### WITHOUT ATTACHMENT



PRC27502-17-1-C  
NO ATTACHMENT VERSION



PRC27502-17-1-C-EO  
EYELET ONLY VERSION  
(NO LANYARD)

|                    |            |               |            |   |  |   |  |
|--------------------|------------|---------------|------------|---|--|---|--|
| <b>DRAWN</b>       | K.WINCZURA | <b>DATE</b>   | 12/02/2014 | <br>3RD ANGLE PROJECTION<br>NOT TO SCALE | <br><b>POLAMCO LTD</b><br>www.polamco.com | WESTON LOCK<br>LOWER BRISTOL ROAD<br>BATH BA2 1EP | THIS DRAWING IS<br>COPYRIGHT AND THE<br>PROPERTY OF<br>POLAMCO LTD<br>IT MUST NOT BE COPIED,<br>USED FOR MANUFACTURE<br>OR OTHERWISE DISCLOSED<br>WITHOUT PRIOR WRITTEN<br>CONSENT OF THE COMPANY. |
| <b>SALES APPR</b>  |            | <b>DATE</b>   | 12/02/2014 |   |  |   |  |
| <b>DESIGN APPR</b> | K.SHEPPARD | <b>DATE</b>   | 15/05/2013 | UNLESS OTHERWISE SPECIFIED<br>ALL DIMENSIONS IN MILLIMETRES<br><b>GENERAL TOL</b><br>LINEAR +/-0.25MM<br>ANGULAR +/- 1°     | <b>ASSY USED ON: MIL-DTL-38999 SERIES I</b>  | <b>TITLE:</b><br>RECEPTACLE PROTECTION COVER      | <b>DRAWING NO:</b><br>P25948   |
| <b>PROD APPR</b>   |            |               |            |   |  |   |  |
| <b>QUAL APPR</b>   |            |               |            | <b>MATERIAL</b><br>SEE TABLE 5  | <b>TITLE:</b><br>RECEPTACLE PROTECTION COVER   | <b>PART NUMBER:</b><br>PRC27502 SERIES            | <b>SHT</b><br>2  |
| <b>ISSUE</b>       | DCR        |               |            |   |  |   |  |
| <b>2</b>           | 3969       |               |            | <b>FINISH</b><br>SEE TABLE 6  | <b>PART NUMBER:</b><br>PRC27502 SERIES   | <b>DRAWING NO:</b><br>P25948                      | <b>SHT</b><br>2  |
| NCAGE CODE U5792   |            | <b>WEIGHT</b> | ---        |   |  |   |  |