

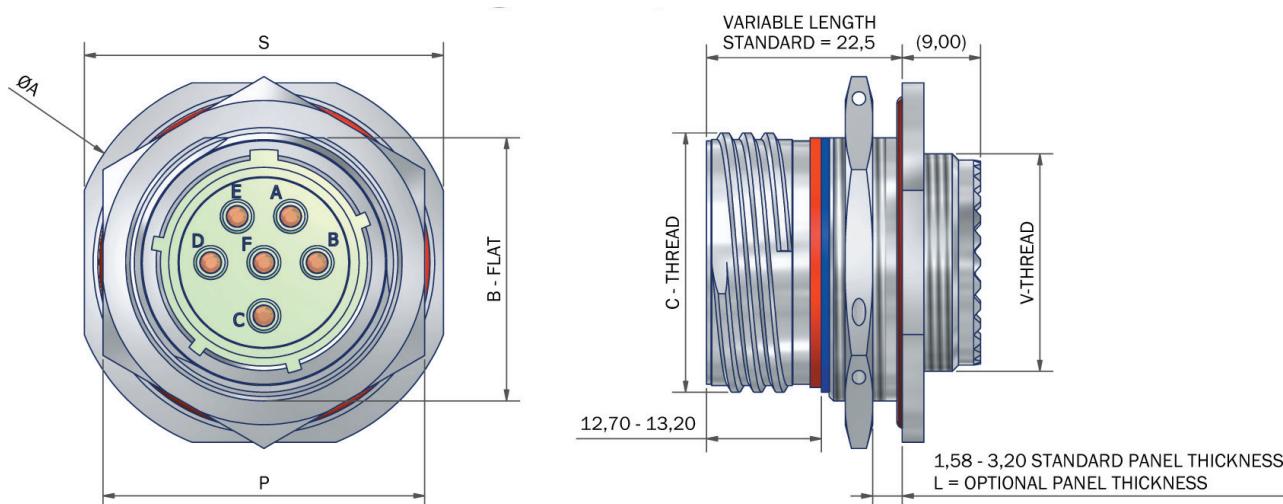
# Standard Connectors

## PC424HT

### High Temperature Jam Nut Receptacle



Interconnect Solutions Worldwide



#### NOTES

GENERALLY TO THE REQUIREMENTS OF

MIL-DTL-38999

TEMPERATURE RANGE -55°C TO +280°C

SUPPLIED WITH CRIMP CONTACTS AND INSERTION TOOL

#### FINISH

PASSIVATED

#### MATERIALS

SHELL OPTIONS

4 = STAINLESS STEEL 303

46 = STAINLESS STEEL 316

SEAL - SILICONE ELASTOMER

INSULATOR - THERMOPLASTIC

POTTING - RTV3145

#### EXAMPLE PART NUMBER: PC424HT-1706PN-4-J-L13

PC424HT =	POLAMCO SERIES
17 =	SHELL SIZE (TABLE 1)
06 =	INSERT ARRANGEMENT
P =	CONTACT TYPE
N =	KEY ARRANGEMENT
4 =	MATERIAL (STAINLESS STEEL) <a href="#">CLICK TO SEE OPTIONS</a>
J =	PLATING (PASSIVATED) <a href="#">CLICK TO SEE OPTIONS</a>
L13 =	OPTIONAL PANEL THICKNESS IN MM (OMIT FOR STANDARD)

TABLE 1

SHELL SIZE	SHELL CODE	A +/-0.3	B +0.1/-0.15	C - THREAD CLASS 2A 0.1P-0.3L-TS	P +0.4/-0	S +/-0.4	V THREAD
09	A	30.2	16.53	0,6250	22	27,0	M12x1 6g
11	B	34.9	19.07	0,7500	26	31.8	M15x1 6g
13	C	38.1	23.82	0,8750	30	34.9	M18x1 6g
15	D	41.3	26.97	1,0000	33	38.1	M21x1 6g
17	E	44.5	30.15	1.1875	37	41.3	M25x1 6g
19	F	49.2	33.32	1,2500	40	46,0	M28x1 6g
21	G	52.4	36,50	1,3750	43	49.2	M31x1 6g
23	H	55.6	39.67	1,5000	46	52.4	M34x1 6g
25	J	58.7	42.85	1,6250	50	55.6	M37x1 6g

Tel: +44 (0)845 017 1545

DRAWING NOT TO SCALE  
DIMENSIONS IN MM

[www.polamco.com](http://www.polamco.com)