

# Standard Connectors

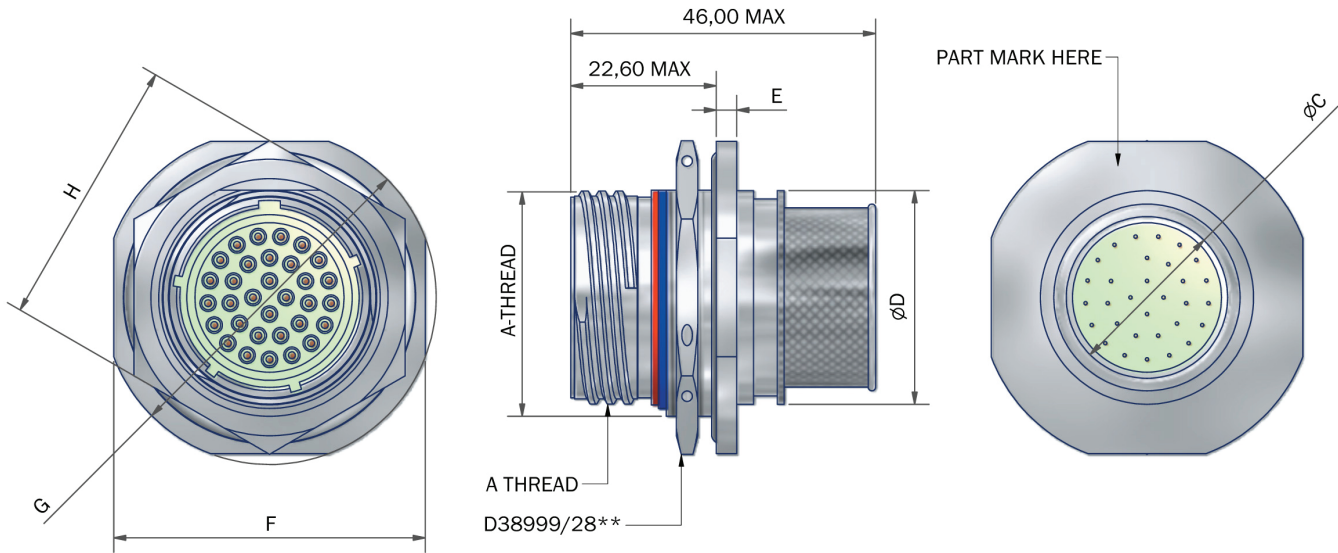
PC491-24

Jam Nut Receptacle with

Integral Backshell with Spring or Band Options



Interconnect Solutions Worldwide



**NOTES**

GENERALLY TO THE REQUIREMENTS OF MIL-DTL-38999  
 SUPPLIED WITH CRIMP CONTACTS AND INSERTION TOOL

SEAL - SILICONE ELASTOMER  
 INSULATOR - THERMOPLASTIC  
 POTTING - RTV3140

**EXAMPLE PART NUMBER: PC491-24-1932PN-1-C-HE300**

PC491 =	POLAMCO SERIES
24 =	STYLE
19 =	SHELL SIZE (TABLE 1)
32 =	INSERT ARRANGEMENT
P =	CONTACT TYPE
N =	KEY ARRANGEMENT
1 =	MATERIAL (ALUMINIUM ALLOY)
C =	PLATING: <a href="#">CLICK TO SEE OPTIONS</a>
HE300 =	HE*** = CONSTANT FORCE SPRING
	SB = STANDARD BAND

**TABLE 1**

SHELL SIZE	MS CODE	A THREAD 0.1P-0.3L-TS	B +0.1/-0.15	C MAX	D MAX	E +/-0.1	F +/-0.4	G +/-0.3	H A/F	SPRING REF
09	A	0,6250	16,53	10,00	17,2	2,2	27,0	30,2	21,82/24,00	HE100
11	B	0,7500	19,07	12,70	20,3	2,2	31,8	34,9	24,99/27,00	HE200
13	C	0,8750	23,82	15,88	23,5	2,2	34,9	38,1	29,77/32,00	HE200
15	D	1,0000	26,97	19,05	26,7	2,2	38,1	41,3	32,91/36,00	HE300
17	E	1,1875	30,15	22,22	29,9	2,2	41,3	44,5	36,12/37,00	HE300
19	F	1,2500	33,32	23,80	31,5	3,0	46,0	49,2	39,25/41,00	HE300
21	G	1,3750	36,50	26,97	34,7	3,0	49,2	52,4	42,47/46,00	HE400
23	H	1,5000	39,67	30,15	37,9	3,0	52,4	55,6	45,61/50,00	HE400
25	J	1,6250	42,85	33,32	41,1	3,0	55,6	58,7	49,25/51,23	HE400

Tel: +44 (0)845 017 1545

DRAWING NOT TO SCALE  
 DIMENSIONS IN MM

www.polamco.com