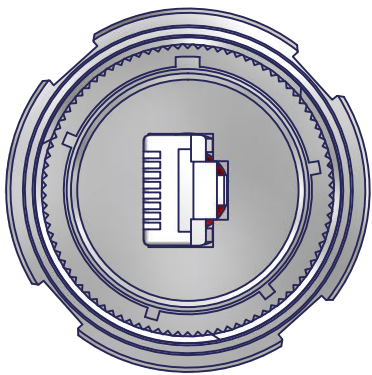
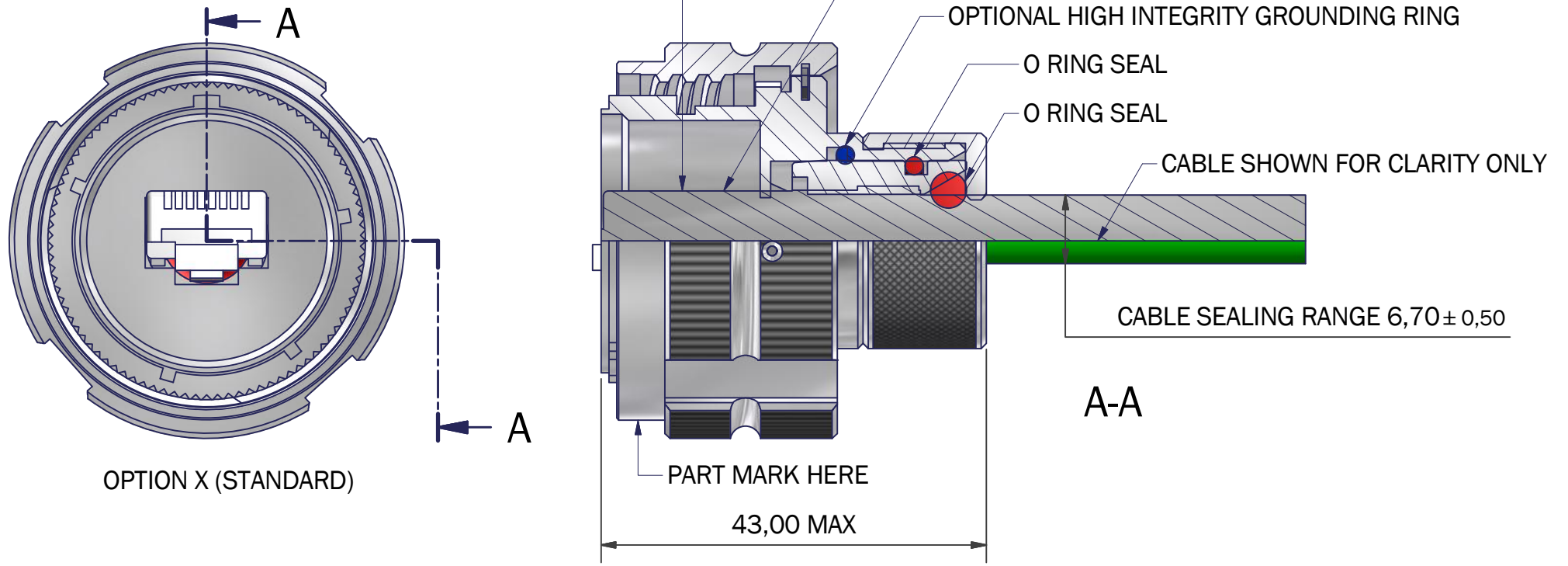
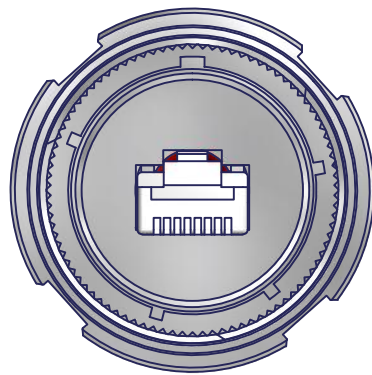


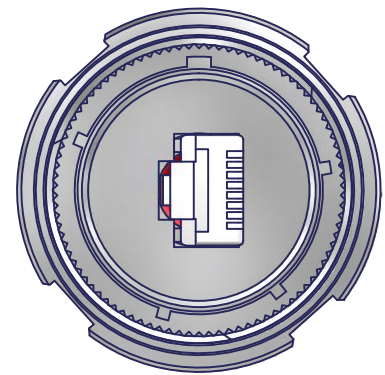
RJ45, CAT6 CABLE PLUG WITH INTEGRATED CABLE GUIDE,
SHIELDING AND CABLE CRIMP GROUNDED TO OUTER SHELL
FOR USE WITH AWG24/26 CABLE
DATA TRANSFER RATE TESTED TO 1 GIGABIT



OPTION W



OPTION Y



OPTION Z


NOTES
GENERALLY TO THE REQUIREMENTS OF MIL-DTL-38999
MATES WITH AMPHENOL RJFTV
FINISH
SEE MATERIAL AND PLATING OPTIONS SHEET
MATERIALS
RJ45
CONTACTS SELECTIVE GOLD PLATING
SHIELDING - NICKEL PLATED BRASS
BODY - PBT, UL94V-0

SEAL - SILICONE

PERFORMANCE
VOLTAGE RATING 50V DC / 35V AC
TEMPERATURE -40°C TO +120°C

EXAMPLE PART NUMBER: PC4D0024**-19NX-1-C-H	
PC4D0024 =	POLAMCO SERIES
** =	TERMINATION STYLE E.G. "BT" (OMIT FOR STANDARD)
19 =	SHELL SIZE
N =	ALTERNATE KEYING
X =	INSERT ROTATION (w, x, y, z)
1 =	SEE MATERIAL AND PLATING OPTIONS SHEET
C =	SEE MATERIAL AND PLATING OPTIONS SHEET
H =	HIGH INTEGRITY GROUNDING (OMIT FOR STANDARD)

PART NUMBER FOR UNGROUNDED VERSION: PC4D0024-19NX-1-C-U

DRAWN M.PAUL	DATE 07/06/2010	3RD ANGLE PROJECTION NOT TO SCALE	 POLAMCO WESTON LOCK LOWER BRISTOL ROAD BATH BA2 1EP	PAGE 1	UNLESS OTHERWISE SPECIFIED ALL DIMENSIONS IN MILLIMETRES
SALES APPR M.F.	DATE 07/06/2010				
DESIGN APPR		THIS DRAWING IS COPYRIGHT AND THE PROPERTY OF POLAMCO LTD IT MUST NOT BE COPIED, USED FOR MANUFACTURE OR OTHERWISE DISCLOSED WITHOUT PRIOR WRITTEN CONSENT OF THE COMPANY.	ASSY USED ON: MIL-DTL-38999/26	MATERIAL	
QUAL APPR			TITLE: RJ45 CAT6 PLUG CONNECTOR ASSEMBLY		
ISSUE 2	DCR 4148		PART NUMBER: PC4D0024-19**-*-*	NCAGE CODE U5792	
WEIGHT	GENERAL TOL LINEAR +/-0.1MM ANGULAR +/- 1°			DRAWING NO: C3054	