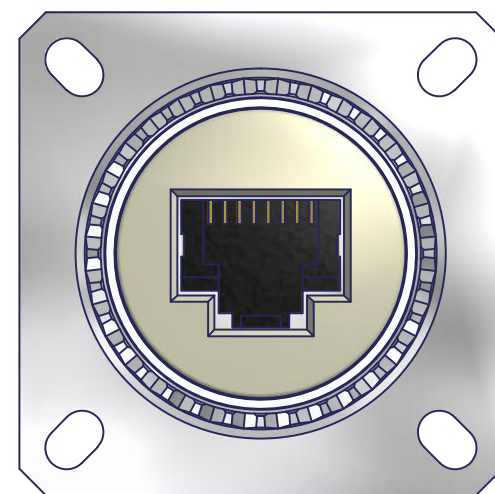
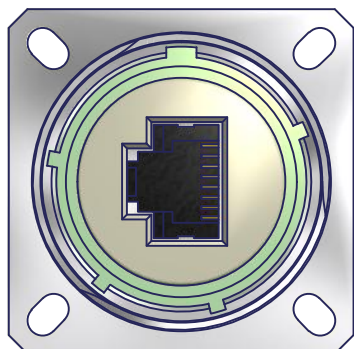


M28x1 - 6g
TO SUIT H INTERFACE

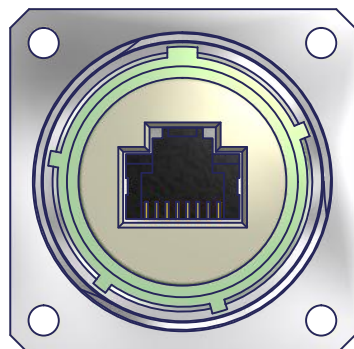


OPTION X (STANDARD)

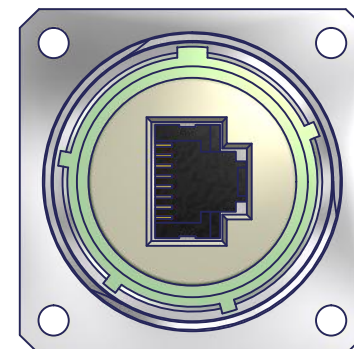
RJ45, CAT6 FEEDTHROUGH CONNECTOR GROUNDED TO OUTER SHELL
DATA TRANSFER RATE TESTED TO 1 GIGABIT, CONTACT SALES OFFICE FOR TEST RESULTS



OPTION W

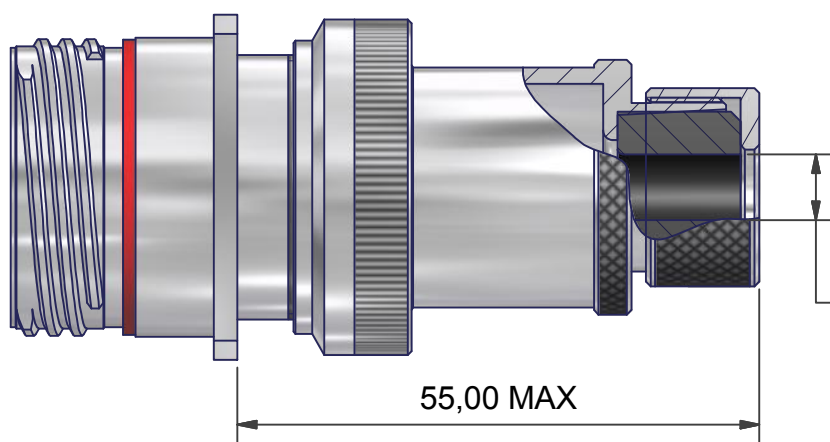


OPTION Y



OPTION Z

005 CABLE SEALING BACKSHELL OPTION



Ø6,90 CABLE SEALING DIAMETER

NOTES
GENERALLY TO THE REQUIREMENTS OF MIL-DTL-38999
MATES WITH AMPHENOL RJFTV
FINISH
SEE MATERIAL AND PLATING OPTIONS SHEET
MATERIALS
RJ45
CONTACTS COPPER WITH SELECTIVE GOLD PLATE
SHIELDING - NICKEL PLATED BRASS
BODY - PA, UL94V-0
PCB - FR4, UL94V-0

SEAL - SILICONE ELASTOMER
INSULATOR - PPS GL40 UL94, COLOUR BLACK
POTTING - QSIL 550 UL94V-0
PERFORMANCE
CURRENT RATING FOR POWER CONTACTS 2.1 AMPS @ 70°C
VOLTAGE RATING 50V DC / 35V AC
TEMPERATURE -40°C TO +120°C

EXAMPLE PART NUMBER: PC4B0029-19NX-1-C-005	
PC4B0029 =	POLAMCO SERIES
19 =	SHELL SIZE
N =	ALTERNATE KEYING
X =	INSERT ROTATION (w, x, y, z)
1 =	MATERIAL: SEE MATERIAL AND PLATING OPTIONS SHEET
C =	PLATING: SEE MATERIAL AND PLATING OPTIONS SHEET
005 =	CABLE SEALING BACKSHELL

PART NUMBER FOR UNGROUNDED VERSION: PC4B0029-19NX-1-C-U

DRAWN	M.PAUL	DATE	12/10/2010	3RD ANGLE PROJECTION NOT TO SCALE	POLAMCO WESTON LOCK LOWER BRISTOL ROAD BATH BA2 1EP	PAGE 1	UNLESS OTHERWISE SPECIFIED ALL DIMENSIONS IN MILLIMETRES
SALES APPR	N.W.	DATE	12/10/2011				
DESIGN APPR				THIS DRAWING IS COPYRIGHT AND THE PROPERTY OF POLAMCO LTD IT MUST NOT BE COPIED, USED FOR MANUFACTURE OR OTHERWISE DISCLOSED WITHOUT PRIOR WRITTEN CONSENT OF THE COMPANY.	ASSY USED ON: CAT6 RJ45	MATERIAL SEE NOTES	NCAGE CODE U5792
QUAL APPR							
ISSUE	4	DCR	4170				
WEIGHT		GENERAL TOL	LINEAR +/-0.1MM ANGULAR +/- 1°	PART NUMBER:	PC4B0029-19*-*-*	DRAWING NO:	C3047