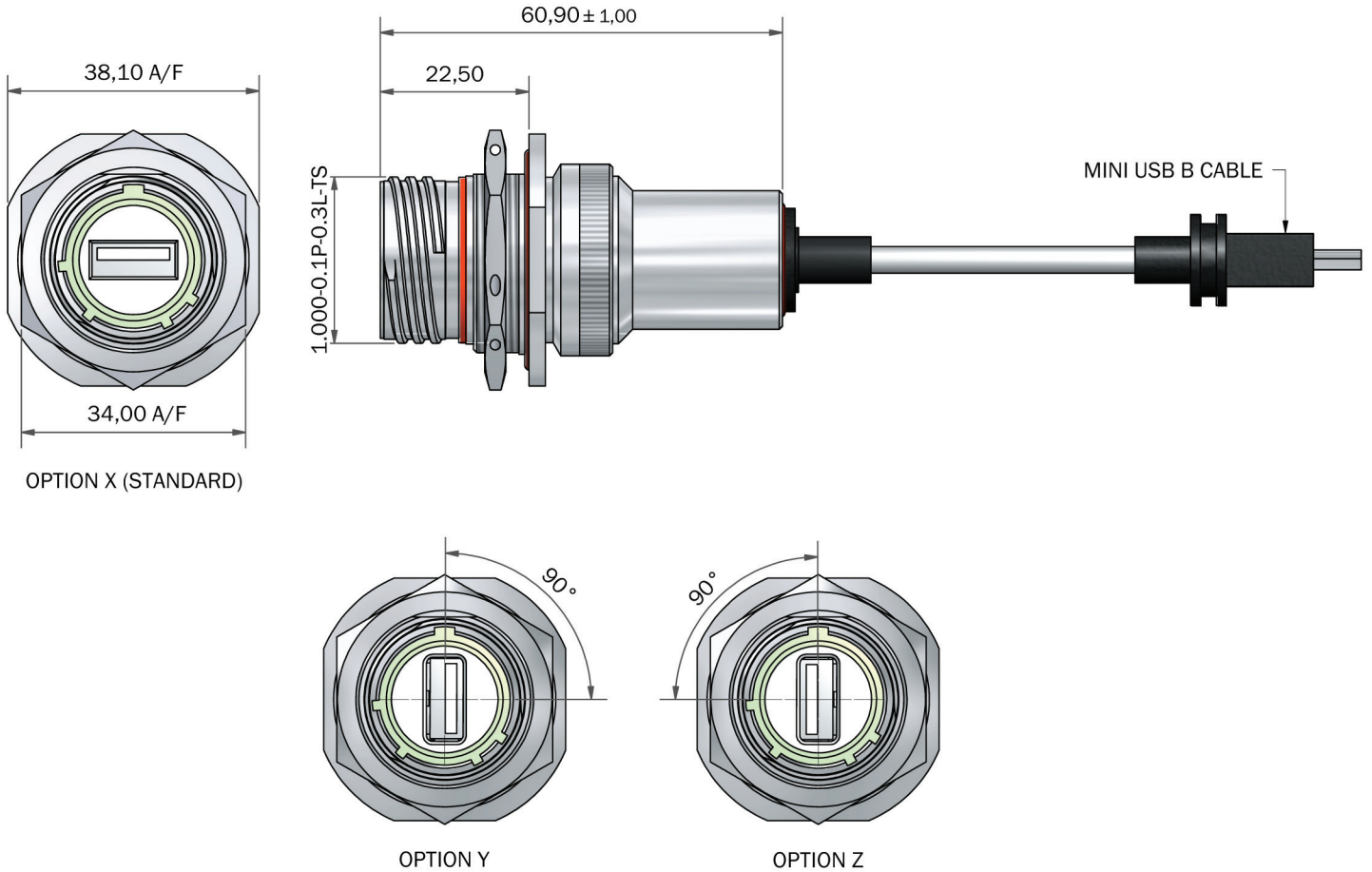


USB A Connectors

PC4F0019 - Receptacle with Mini USB Cable (Size 15)



Interconnect Solutions Worldwide



NOTES

GENERALLY TO THE REQUIREMENTS OF MIL-DTL-38999

INTERMATEABLE WITH AMPHENOL

CABLE DRAWING: [CLICK TO SEE DRAWING](#)

PERFORMANCE

CURRENT RATING 1 AMP MAX PER CONTACT

VOLTAGE RATING 30V AC

TEMPERATURE -25 °C TO +85 °C

EXAMPLE PART NUMBER: PC4F0019-15NX-1-C-L2000	
PC4F0019 =	POLAMCO SERIES
15 =	SHELL SIZE
N =	KEY ARRANGEMENT
X =	INSERT ROTATION (X = 0°, Y = 90°, Z = 270°)
1 =	MATERIAL (ALUMINIUM ALLOY)
C =	PLATING: CLICK TO SEE OPTIONS
L2000 =	PATCH LEAD LENGTH IN MM (1, 2, 3 AND 5 METRE OPTIONS)

Tel: +44 (0)845 017 1545

DRAWING NOT TO SCALE
DIMENSIONS IN MM

www.polamco.com