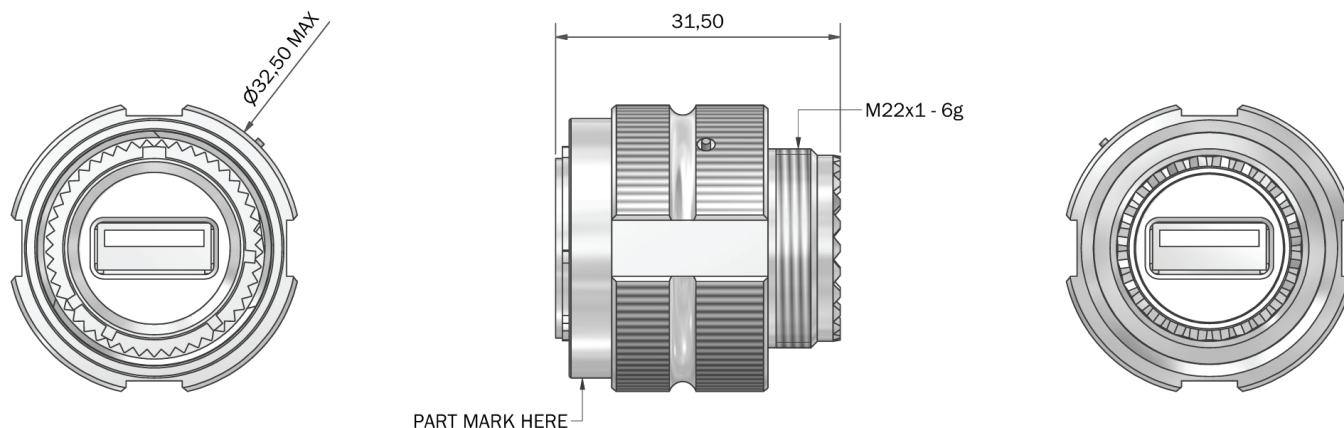


USB A Connectors

PC4D0022 - Receptacle Feedthrough Plug Assembly (Size 15)



Interconnect Solutions Worldwide



NOTES

GENERALLY TO THE REQUIREMENTS OF
MIL-DTL-38999
INTERMATEABLE WITH AMPHENOL
CABLE DRAWING: [CLICK TO SEE DRAWING](#)

PERFORMANCE

CURRENT RATING 1 AMP MAX PER CONTACT
VOLTAGE RATING 30V AC
TEMPERATURE -25 °C TO +85 °C

SEAL - FLUORO SILICONE

EXAMPLE PART NUMBER: PC4D0022-15N-1-C

PC4D0022 =	POLAMCO SERIES
15 =	SHELL SIZE
N =	KEY ARRANGEMENT
1 =	MATERIAL (ALUMINIUM ALLOY)
C =	PLATING: CLICK TO SEE OPTIONS

Tel: +44 (0)845 017 1545

DRAWING NOT TO SCALE
DIMENSIONS IN MM

www.polamco.com