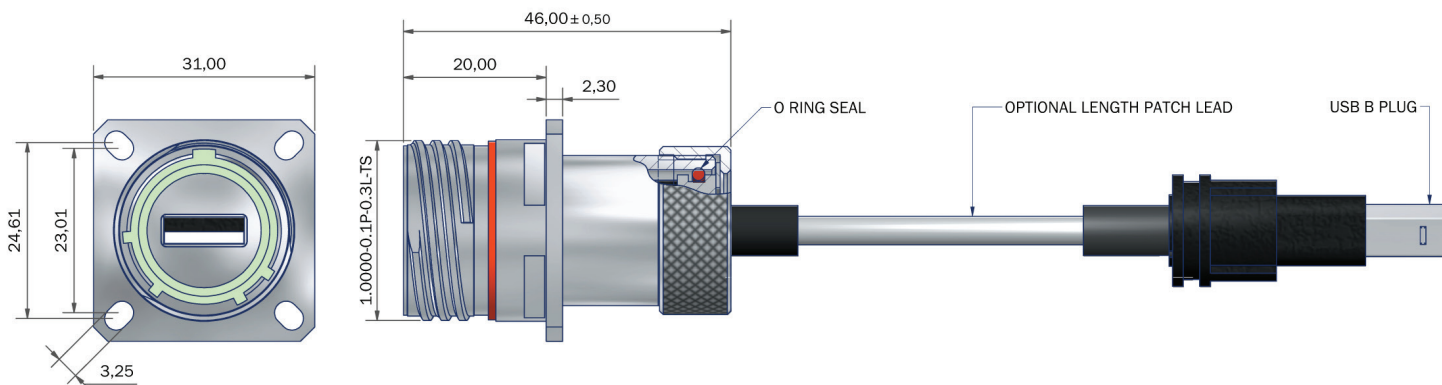


USB A Connectors

PC4B0027 - Cabled Plug Receptacle Assembly (Size 15)



Interconnect Solutions Worldwide



NOTES

GENERALLY TO THE REQUIREMENTS OF MIL-DTL-38999
 INTERMATEABLE WITH AMPHENOL
 CABLE DRAWING: [CLICK TO SEE DRAWING](#)

SEAL - FLOURO SILICONE
 INSULATOR - PPS GL40 UL94
 POTTING - QSIL 550 UL94V-0

MATERIALS

USB B INSERT
 CONTACTS 30µ Au/Ni
 SHIELDING - NICKEL PLATED BRASS
 BODY - PA, UL94V-0
 PCB - FR4, UL94V-0

PERFORMANCE

CURRENT RATING 1 AMP MAX PER CONTACT
 VOLTAGE RATING 30V AC
 TEMPERATURE -25°C TO +85°C

EXAMPLE PART NUMBER: PC4B0027-15N-1-C-L2000

PC4B0027 =	POLAMCO SERIES
15 =	SHELL SIZE
N =	KEY ARRANGEMENT
1 =	MATERIAL (ALUMINIUM ALLOY)
C =	PLATING: CLICK TO SEE OPTIONS
L2000 =	PATCH LEAD LENGTH IN MM (1, 2, 3 AND 5 METRE OPTIONS)

Tel: +44 (0)845 017 1545

DRAWING NOT TO SCALE
 DIMENSIONS IN MM

www.polamco.com