

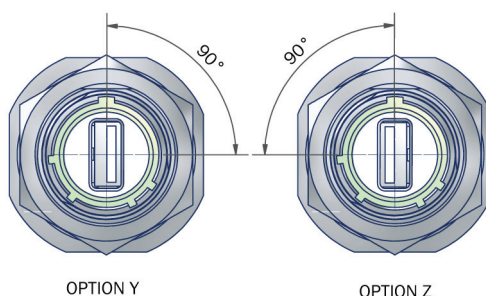
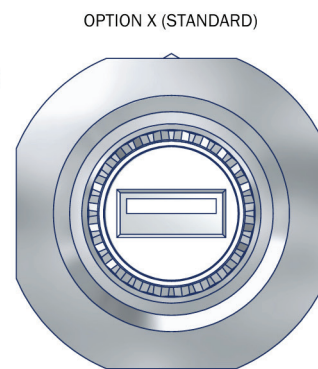
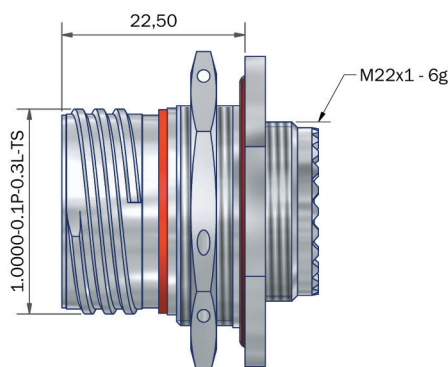
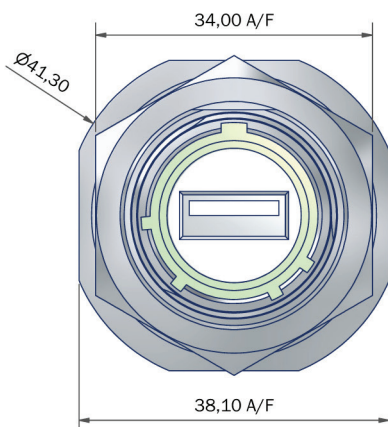
USB A Connectors

PC4F0016 - Receptacle Assembly (Size 15)



To Fit H Interface Adaptors

Interconnect Solutions Worldwide



NOTES
GENERALLY TO THE REQUIREMENTS OF
MIL-DTL-38999

MATERIALS
USB INSERT
CONTACTS 30µ Au/Ni
SHIELDING - NICKEL PLATED BRASS
BODY - PA, UL94V-0
PCB - FR4, UL94V-0

SEAL - SILICONE ELASTOMER
INSULATOR - PPS GL40 UL94, COLOUR BLACK
POTTING - QSIL 550 UL94V-0

PERFORMANCE
CURRENT RATING 1 AMP MAX PER CONTACT
VOLTAGE RATING 30V AC
TEMPERATURE -25 °C TO +85 °C

EXAMPLE PART NUMBER: PC4F0016-15NY-1-C

PC4F0016 =	POLAMCO SERIES
15 =	SHELL SIZE
N =	KEY ARRANGEMENT
Y =	INSERT ROTATION (X = 0°, Y = 90°, Z = 270°)
1 =	MATERIAL (ALUMINIUM ALLOY)
C =	PLATING: CLICK TO SEE OPTIONS

Tel: +44 (0)845 017 1545

DRAWING NOT TO SCALE
DIMENSIONS IN MM

www.polamco.com