

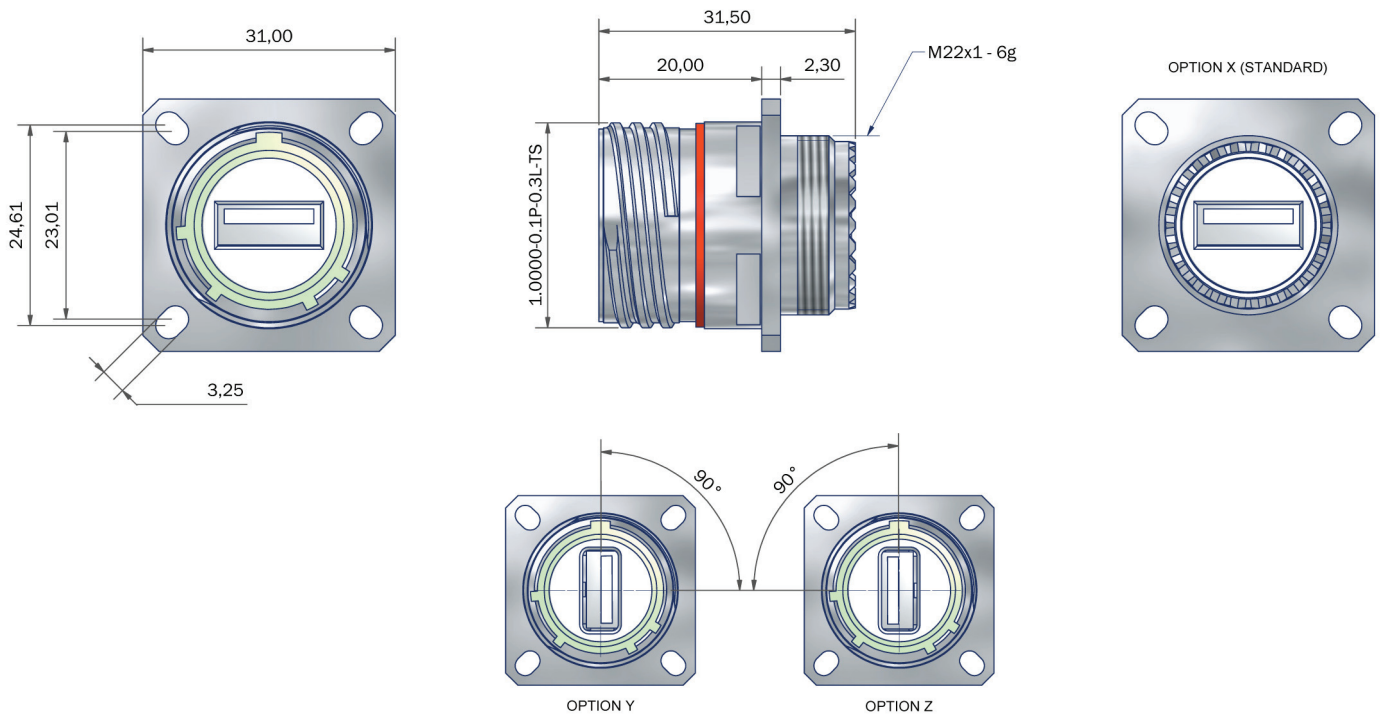
USB A Connectors

PC4B0026 - Receptacle Assembly (Size 15)



To Fit H Interface Adaptors

Interconnect Solutions Worldwide



NOTES

GENERALLY TO THE REQUIREMENTS OF
MIL-DTL-38999

SEAL - SILICONE ELASTOMER

INSULATOR - PPS GL40 UL94, COLOUR BLACK

POTTING - QSIL 550 UL94V-0

MATERIALS

USB INSERT

CONTACTS 30µ Au/Ni

SHIELDING - NICKEL PLATED BRASS

BODY - PA, UL94V-0

PCB - FR4, UL94V-0

PERFORMANCE

CURRENT RATING 1 AMP MAX PER CONTACT

VOLTAGE RATING 30V AC

TEMPERATURE -25 °C TO +85 °C

EXAMPLE PART NUMBER: PC4B0026-15NZ-1-C

PC4B0026 =	POLAMCO SERIES
15 =	SHELL SIZE
N =	KEY ARRANGEMENT
Z =	INSERT ROTATION (X = 0°, Y = 90°, Z = 270°)
1 =	MATERIAL (ALUMINIUM ALLOY)
C =	PLATING: CLICK TO SEE OPTIONS

Tel: +44 (0)845 017 1545

DRAWING NOT TO SCALE
DIMENSIONS IN MM

www.polamco.com