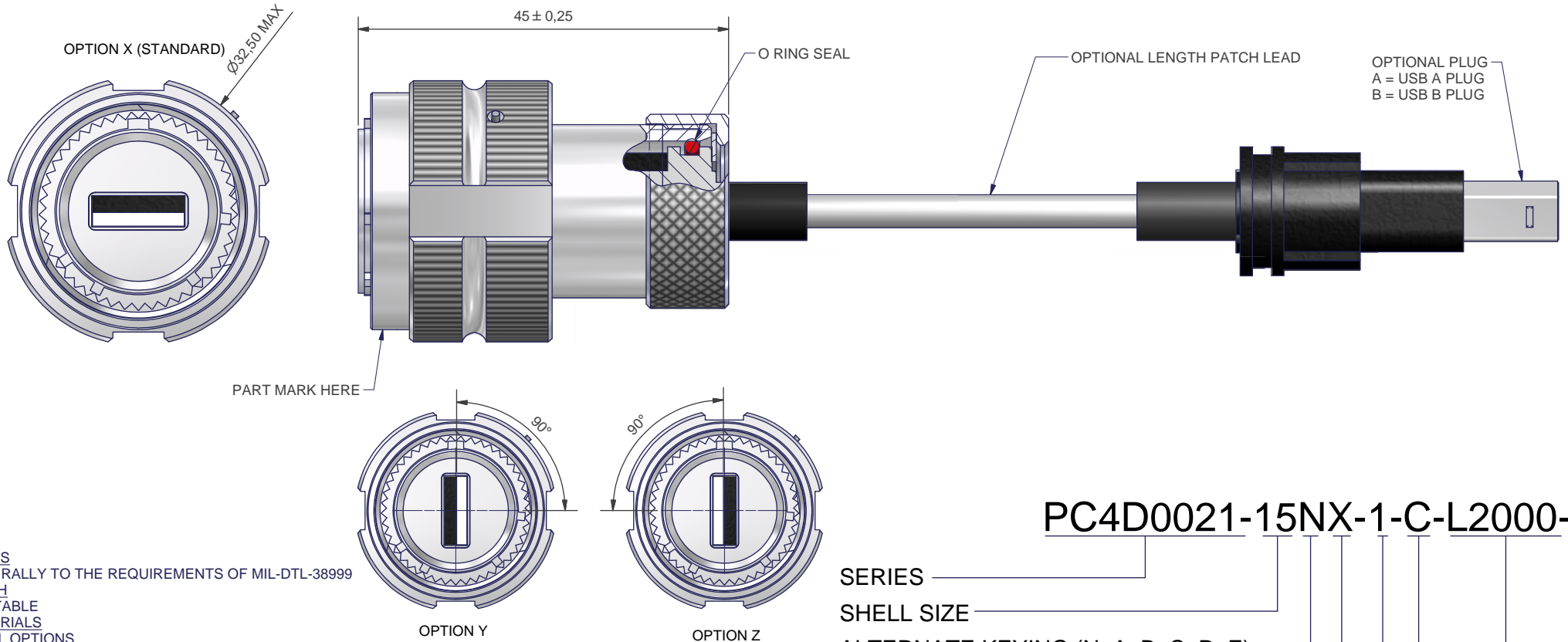




3RD ANGLE PROJECTION



REMOVE ALL SHARP EDGES AND BURRS



**PC4D0021-15NX-1-C-L2000-B**

NOTES  
GENERALLY TO THE REQUIREMENTS OF MIL-DTL-38999

FINISH  
SEE TABLE  
MATERIALS  
SHELL OPTIONS  
1 = ALUM ALLOY 6262R  
2 = ALUM BRONZE NES833  
4 = STAINLESS STEEL 303  
46 = STAINLESS STEEL 316

SEAL - FLUORO SILICONE

PERFORMANCE  
CURRENT RATING 1 AMP MAX PER CONTACT  
VOLTAGE RATING 30V AC MAX  
TEMPERATURE -25°C TO +85°C

CODE	DESCRIPTION
B	Cadmium, olive drab (5-10 microns) QQ-P-416, Type II, Class 3 over electroless nickel (2.5 - 7.5 microns) (500 hour salt spray finish)
C	Electroless Nickel, MIL-C-26074, Class 4, Grade B
J	Passivate, per QQ-P-35 or MI-S-5002
P	Heavy Nickel, 500 hour salt spray
Z	Shot blast for non-reflective finish
ZB	Zinc cobalt, olive drab (5-10 microns) over electroless nickel (2.5 - 7.5 microns)

ORDERS CANNOT BE PLACED AGAINST ALPHA ISSUE DRAWINGS.  
ON RECEIPT OF CUSTOMER APPROVAL, THE DRAWING STATUS WILL RAISE TO ISSUE 1.

ISSUE	DCR NO.	DATE	APPROVED	MATERIAL	UNLESS OTHERWISE SPECIFIED ALL DIMENSIONS IN MILLIMETRES TOLERANCE ON DIMENSIONS +/-0.1MM TOLERANCE ON ANGLES +/- 1 DEGREE	DO NOT SCALE THIS DRAWING	POLAMCO LTD	WESTON LOCK LOWER BRISTOL ROAD BATH BA2 1EP	PART NO
B		15/03/2010	MP						PC4D0021-15N-1-ZB-L2000
						THIS DRAWING IS COPYRIGHT, AND THE PROPERTY OF POLAMCO LTD. IT MUST NOT BE COPIED, USED FOR MANUFACTURE OR OTHERWISE DISCLOSED WITHOUT PRIOR WRITTEN CONSENT OF THE COMPANY.	TITLE		ASSY USED ON
							USB A CABLED PLUG ASSEMBLY		D38999/26 USB A
					WEIGHT				DRAWING NO
					DRAWN	M.PAUL			C1906