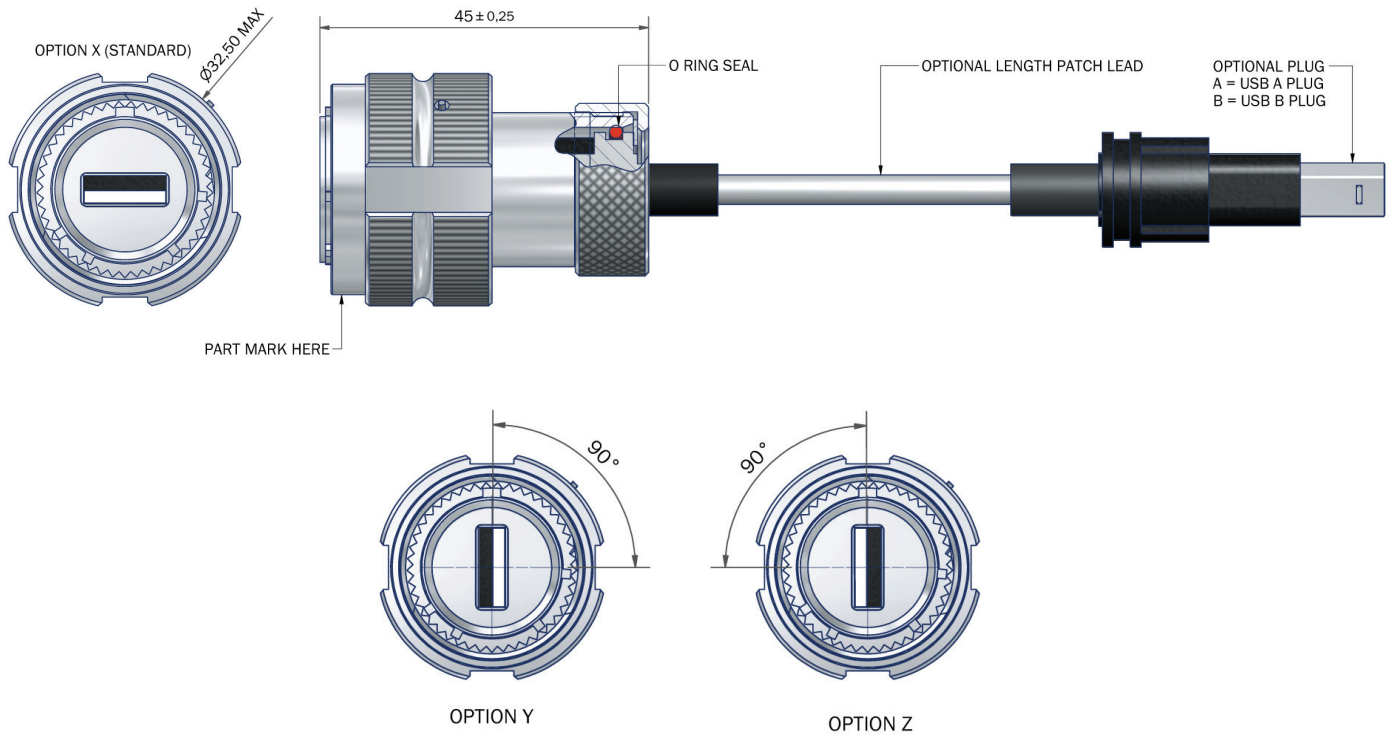


USB A Connectors

PC4D0021 - Cabled Plug Assembly (Size 15)



Interconnect Solutions Worldwide



NOTES

GENERALLY TO THE REQUIREMENTS OF
MIL-DTL-38999
CABLE DRAWING: [CLICK TO SEE DRAWING](#)

PERFORMANCE

CURRENT RATING 1 AMP MAX PER CONTACT
VOLTAGE RATING 30V AC
TEMPERATURE -25 °C TO +85 °C

EXAMPLE PART NUMBER: PC4D0021-15NX-1-C-L2000-B

PC4D0021 =	POLAMCO SERIES
15 =	SHELL SIZE
N =	KEY ARRANGEMENT
X =	INSERT ROTATION (X = 0°, Y = 90°, Z = 270°)
1 =	MATERIAL (ALUMINIUM ALLOY)
C =	PLATING: CLICK TO SEE OPTIONS
L2000 =	PATCH LEAD LENGTH IN MM (1, 2, 3 AND 5 METRE OPTIONS)
B =	CABLE END OPTION A OR B

Tel: +44 (0)845 017 1545

DRAWING NOT TO SCALE
DIMENSIONS IN MM

www.polamco.com