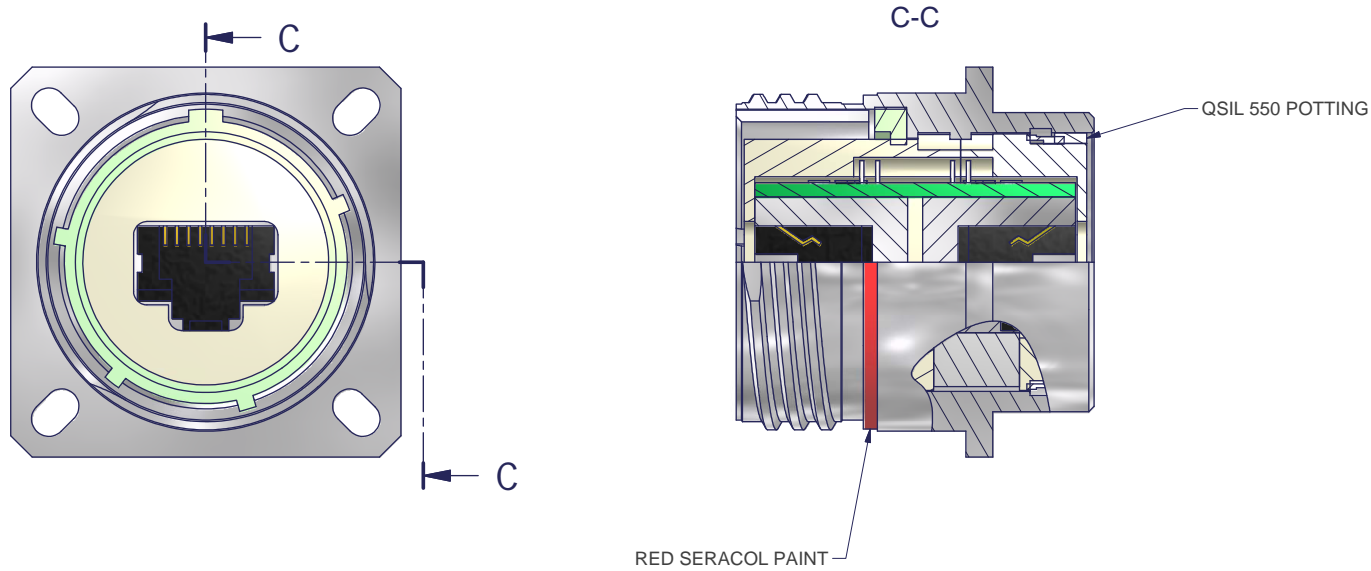




3RD ANGLE PROJECTION



REMOVE ALL SHARP EDGES AND BURRS



Parts List					
ITEM	QTY	PART NUMBER	DESCRIPTION	VENDOR	
1	1	PC4B0022-19HSA-B	RJ45 INSULATOR FRONT		
2	1	PC4B0022-19RN	RJ45 RECEPTACLE		
3	1	8590-1256	MATING SEAL	FCLANE	
4	1	AXON RJ45 PCB 30 long	PCB ASSEMBLY MODIFIED		
5	1	PC4B0022-19HSB-B	RJ45 INSULATOR REAR		
6	1	200-00074-F	RETAINING RING	FC LANE	
7	3	ES-1J/3-428	CONDUCTIVE GASKET	TC SHIELDING	

ISSUE	DCR NO.	DATE	APPROVED	MATERIAL	UNLESS OTHERWISE SPECIFIED ALL DIMENSIONS IN MILLIMETRES TOLERANCE ON DIMENSIONS +/-0.1MM TOLERANCE ON ANGLES +/- 1 DEGREE	DO NOT SCALE THIS DRAWING	POLAMCO LTD	WESTON LOCK LOWER BRISTOL ROAD BATH BA2 1EP	PART NO
1		18/11/2008	JLM						PC4B0022-19N-1-C
						THIS DRAWING IS COPYRIGHT, AND THE PROPERTY OF POLAMCO LTD. IT MUST NOT BE COPIED, USED FOR MANUFACTURE OR OTHERWISE DISCLOSED WITHOUT PRIOR WRITTEN CONSENT OF THE COMPANY.	TITLE		ASSY USED ON
					WEIGHT		CAT6 RJ45 FEEDTHROUGH RECEPTACLE ASSEMBLY		DRAWING NO
					DRAWN	M.PAUL			C1465