

# 100P670 Series

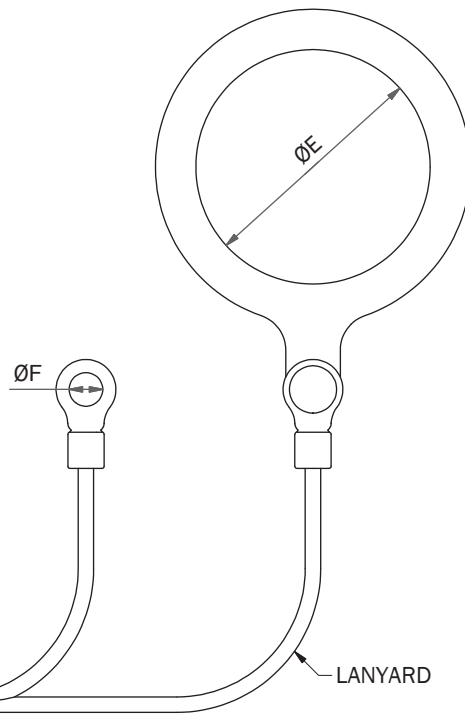
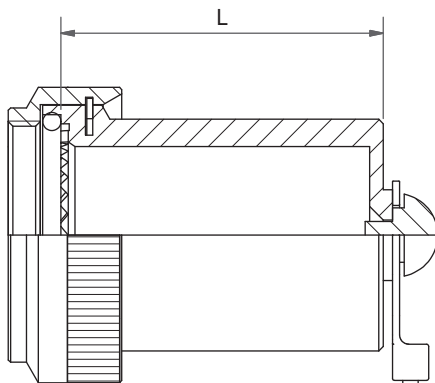
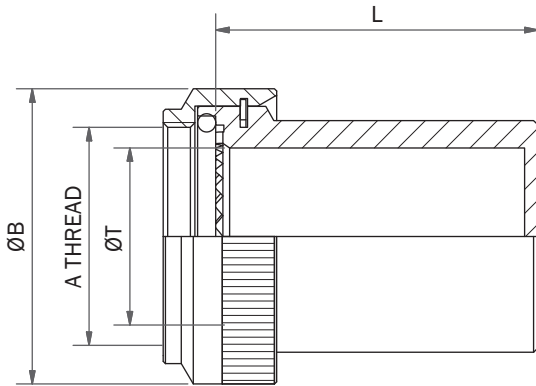
## Blanking Cover

Interface H

To Fit Typical Connector: MIL-DTL-38999 SERIES III & IV



Interconnect Solutions Worldwide



### NOTE 1 - ATTACHMENT TYPE

- 00 - NO EYELET OR RING
- 01-05 - EYELET REF. (SEE TABLE 2)
- 09-25 - RING REF. (SEE TABLE 3)
- CF - SUPPLIED WITH CRIMP FERRULE

### EXAMPLE PART NUMBER: 100P670-17-1-C(-L20)-WR6-02

100P670 =	POLAMCO SERIES
17 =	SHELL SIZE (TABLE 1)
1 =	MATERIAL: <a href="#">CLICK TO SEE OPTIONS</a>
C =	PLATING: <a href="#">CLICK TO SEE OPTIONS</a>
(-L20)	LENGTH OPTION (OMIT FOR STANDARD LENGTH)
WR =	LANYARD TYPE: OMIT FOR NONE REQUIRED (TABLE 4)
6 =	LANYARD LENGTH: OMIT FOR NONE REQUIRED (IN INCHES)
02 =	ATTACHMENT REF: (SEE NOTE 1)

Tel: +44 (0)845 017 1545

DRAWING NOT TO SCALE  
DIMENSIONS IN MM

[www.polamco.com](http://www.polamco.com)

# 100P670 Series

## Blanking Cover

Interface H

To Fit Typical Connector: MIL-DTL-38999 SERIES III & IV



Interconnect Solutions Worldwide

TABLE 1				
SHELL SIZE	A THREAD	B MAX	T MIN	L STANDARD
09	M12 x 1.0	18,0	6,7	22,5
11	M15 x 1.0	21,0	10,2	26,0
13	M18 x 1.0	24,5	13,5	29,0
15	M22 x 1.0	29,0	16,2	32,0
17	M25 x 1.0	32,5	19,4	35,5
19	M28 x 1.0	35,5	21,8	39,5
21	M31 x 1.0	37,0	25,1	42,0
23	M34 x 1.0	40,0	28,2	45,0
25	M37 x 1.0	43,5	31,4	48,0

TABLE 2	
EYELET REF.	F
01	3,2
02	3,7
03	4,3
04	5,3
05	6,4

TO FIT MIL-DTL-38999  
SERIES III PLUG

TO FIT MIL-C-38999  
SERIES III JAM NUT  
RECEPTACLE

TABLE 3			
RING REF.	E DIA	RING REF.	E DIA
09	15,1	A	18,0
11	18,0	B	21,4
13	19,4	C	25,8
15	22,6	D	28,8
17	25,8	E	32,0
19	28,8	F	35,0
21	32,0	G	38,3
23	34,1	H	41,7
25	40,1	J	44,6

TABLE 4	
CODE	LANYARD TYPE
WR	NYLON COVERED STAINLESS STEEL WIRE ROPE
TC	TEFLON COVERED STAINLESS STEEL WIRE ROPE
LC	STAINLESS STEEL LINK CHAIN
R	OLIVE DRAB POLYESTER CORD

Tel: +44 (0)845 017 1545

[www.polamco.com](http://www.polamco.com)