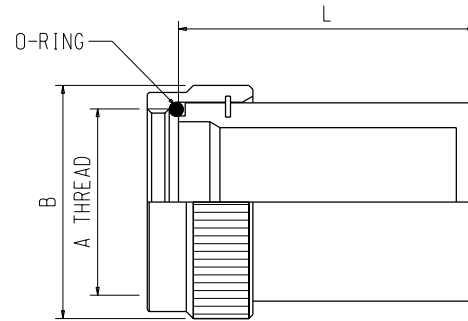



NO ACCESSORY TEETH



SHELL SIZE	A THREAD	B MAX	L STANDARD
08	$7/16$ -28UNEF	17,3	25,0
10	$9/16$ -24UNEF	20,3	28,0
12	$11/16$ -24UNEF	23,8	31,5
14	$13/16$ -20UNEF	26,8	35,0
16	$15/16$ -20UNEF	29,8	38,0
18	$1 1/16$ -18UNEF	33,3	41,5
20	$1 3/16$ -18UNEF	36,3	45,0
22	$1 5/16$ -18UNEF	39,8	48,0
24	$1 7/16$ -18UNEF	42,8	51,0

LENGTH DEVIATION AVAILABLE WHERE L IS ANY MULTIPLE OF 5,0MM  
 LANYARD ATTACHMENTS ARE AVAILABLE ON REQUEST - PLEASE CONTACT SALES OFFICE

100P1737-16-1-C(-L20)  
 SERIES \_\_\_\_\_  
 SHELL SIZE \_\_\_\_\_  
 MATERIAL \_\_\_\_\_  
 PLATING \_\_\_\_\_  
 LENGTH OPTION (OMIT FOR STANDARD LENGTH) \_\_\_\_\_

BLANKING COVER	SERIES 100P1737 TO FIT MIL-C-26482 SERIES I
	THIS DRAWING IS THE COPYRIGHT AND THE PROPERTY OF POLAMCO LTD. IT MUST NOT BE COPIED, USED FOR MANUFACTURE OR OTHERWISE DISCLOSED WITHOUT WRITTEN CONSENT OF THE COMPANY
 POLAMCO LTD	WESTON LOCK LOWER BRISTOL ROAD BATH BA2 1EP