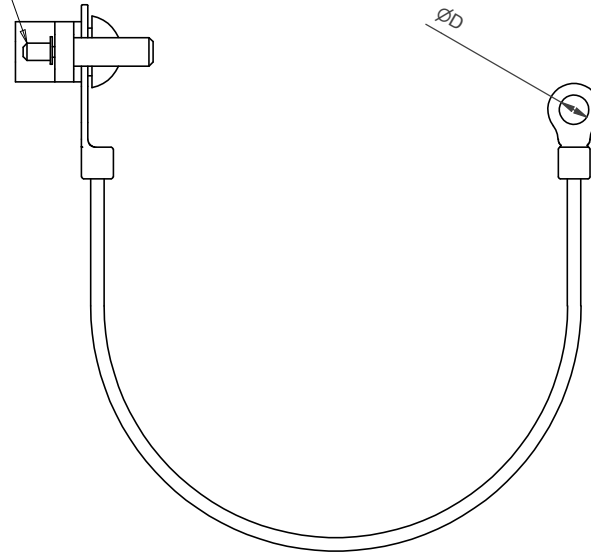


JACK SCREW  
AND E-CLIP KIT



SHELL SIZE	A	B	C
9	19,7	7,6	14,35
15	23,5	7,6	18,16
21	27,3	7,6	21,97
25	29,9	7,6	24,51
31	33,7	7,6	28,32
37	37,7	7,6	32,31
51	36,2	8,6	30,86
100	54,8	9,7	45,72

EYELET REF.	D
00	NA
01	3,2
02	3,7
03	4,3
04	5,3
05	6,4

100P719-37P-1-C-BK4-02

SERIES \_\_\_\_\_  
 SHELL SIZE \_\_\_\_\_  
 MATERIAL \_\_\_\_\_  
 PLATING \_\_\_\_\_  
 LANYARD TYPE \_\_\_\_\_  
 LANYARD LENGTH (IN INCHES) \_\_\_\_\_  
 EYELET REF. \_\_\_\_\_

DUST  
COVER

100P719

TO FIT MIL-C-83513 PLUG

THIS DRAWING IS THE COPYRIGHT AND THE PROPERTY OF  
POLAMCO LTD. IT MUST NOT BE COPIED, USED FOR  
MANUFACTURE OR OTHERWISE DISCLOSED WITHOUT WRITTEN  
CONSENT OF THE COMPANY



POLAMCO LTD

WESTON LOCK  
LOWER BRISTOL ROAD  
BATH BA2 1EP