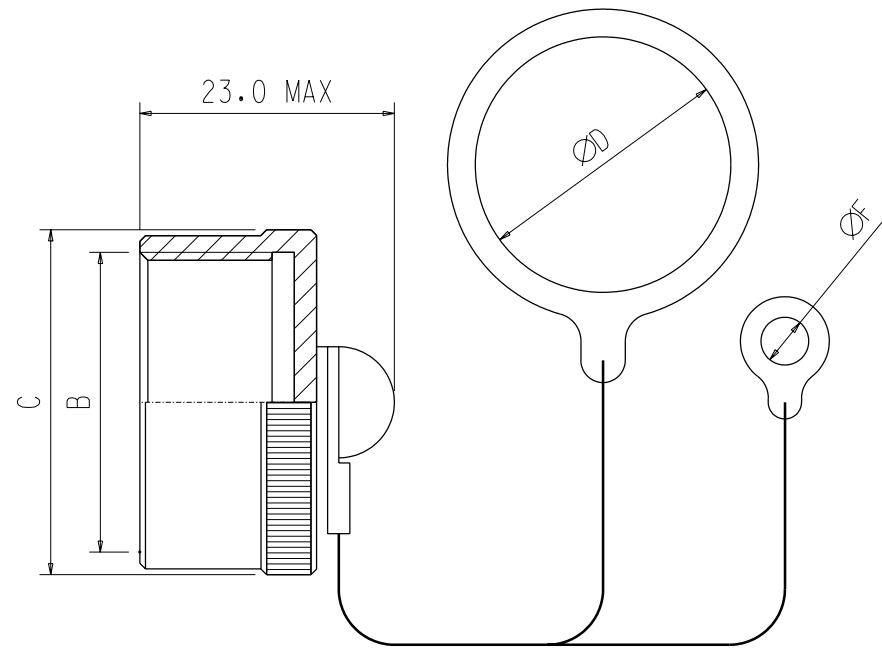


P83723/59 PLUG COVER




P83723/60 RECEPTACLE COVER

SHELL SIZE	A MAX	B THREAD	C MAX	D DIA
08	19,7	9/16 -24UNEF	23.0	15.1
10	23,0	11/16 -24UNEF	28.0	16.1
12	27,3	7/8 -20UNEF	31.0	19.4
14	28,9	15/16 -20UNEF	32.0	22.6
16	32,1	1 1/16 -18UNEF	37.0	25.8
18	34,9	1 3/16 -18UNEF	39.0	27.8
20	38,3	1 5/16 -18UNEF	42.0	32.0
22	41,2	1 7/16 -18UNEF	45.0	34.1
24	44,7	1 9/16 -18UNEF	49.0	36.9

EYELET	F DIA
00	NA
01	3.2
02	3.7
03	4.3
04	5.3
05	6.4

P83723/59-16-1-C-WR4-16

SERIES \_\_\_\_\_  
 SHELL SIZE \_\_\_\_\_  
 MATERIAL \_\_\_\_\_  
 PLATING \_\_\_\_\_  
 LANYARD TYPE \_\_\_\_\_  
 LANYARD LENGTH \_\_\_\_\_  
 ATTACHMENT REF. \_\_\_\_\_

DUST COVER	<b>SERIES P83723</b> TO FIT CONNECTOR MIL-C-83723 SERIES III
	THIS DRAWING IS THE COPYRIGHT AND THE PROPERTY OF POLAMCO LTD. IT MUST NOT BE COPIED, USED FOR MANUFACTURE OR OTHERWISE DISCLOSED WITHOUT WRITTEN CONSENT OF THE COMPANY
 <b>POLAMCO LTD</b>	WESTON LOCK LOWER BRISTOL ROAD BATH BA2 1EP