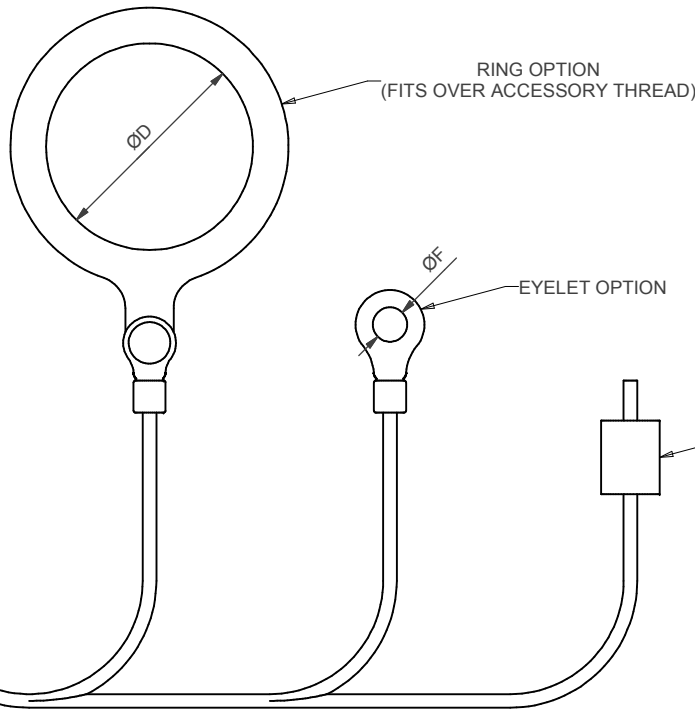
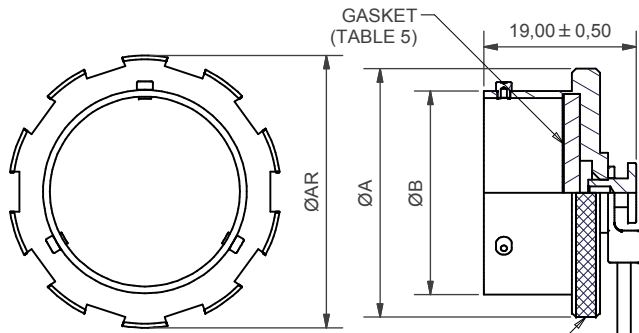


100P602R-...
ARCTIC GRIP VERSION

100P602-...
STANDARD GRIP VERSION



NOTE 1 - ATTACHMENT TYPE
00 - NO EYELET OR RING
01-05 - EYELET REF. (SEE TABLE 2)
08-27 - RING REF. (SEE TABLE 3)
CF - SUPPLIED WITH CRIMP FERRULE

NOTE 2 - WHEN USED ON AMPHENOL 62GB CONNECTOR
CRIMP FERRULE OR EYELET ATTACHMENT IS RECOMMENDED.
SUBJECT TO USING POLAMCO BACKSHELL, LARGER RING CAN
BE SUPPLIED TO FIT OVER NOSE OF BACKSHELL COUPLING NUT.
(SEE TABLE 3B)

TABLE 2

EYELET REF.	F
01	3,2
02	3,7
03	4,3
04	5,3
05	6,4

TABLE 3B (SEE NOTE 2)
RECOMMENDED RING REFS.
FOR 62GB CONNECTORS ONLY

SHELL SIZE	RECOM-MENDED RING REF.	D MAX
08	10	16,1
10	12	19,4
12	14	22,6
14	16	25,8
16	19	28,8
18	21	32,0
20	23	35,0
22	25	37,7
24	27	41,7

TABLE 1

SHELL SIZE	A MAX	AR MAX	B MAX
08	18,0	20,0	12,0
10	21,0	23,0	15,0
12	25,0	27,0	19,1
14	28,0	30,0	22,2
16	31,0	34,0	25,4
18	34,0	38,0	28,6
20	37,0	40,0	31,8
22	40,0	44,0	34,9
24	43,5	46,0	38,1

TABLE 3A

SHELL SIZE	RECOM-MENDED RING REF.	D MAX
08	08	15,1
10	10	16,1
12	12	19,4
14	14	22,6
16	16	25,8
18	18	27,8
20	20	30,6
22	22	34,1
24	24	36,9

TABLE 4

CODE	LANYARD TYPE
WR	NYLON COVERED STAINLESS STEEL WIRE ROPE
TC	TEFLON COVERED STAINLESS STEEL WIRE ROPE
LC	STAINLESS STEEL LINK CHAIN
R	OLIVE DRAB POLYESTER CORD

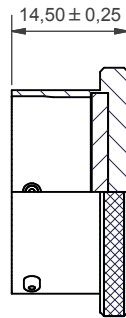
TABLE 5

CODE	MATERIAL	GASKET MATERIAL
1	ALUMINIUM	SILICONE
2	NICKEL ALUMINIUM BRONZE	SILICONE
4	STAINLESS STEEL	VITON
7	BLACK ACETAL	SILICONE
71	COMPOSITE	SILICONE

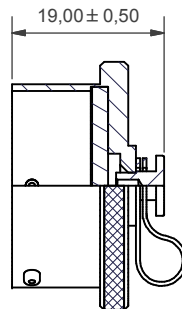
TABLE 6

CODE	PLATING
B	CADMIUM OLIVE DRAB OVER ELECTROLESS NICKEL
C	ELECTROLESS NICKEL
U	UNPLATED
ZB	ZINC COBALT OLIVE DRAB OVER ELECTROLESS NICKEL
ZN	ZINC NICKEL
Z	SHOT BLAST (NICKEL ALUMINIUM BRONZE ONLY)
J	PASSIVATE (STAINLESS STEEL ONLY)

NOTE 2 - TABLES 4, 5 & 6 NOT EXHAUSTIVE
FOR COMPREHENSIVE LIST AND SPECS SEE WEBSITE



100P602-16-1-C
NO ATTACHMENT VERSION



100P602-16-1-C-EO
EYELET ONLY VERSION
(EYELET SIZE OPTIONS NOT AVAILABLE)

SERIES _____
INSERT R FOR ARCTIC GRIP VERSION
INSERT F FOR FLUOROSILICONE GASKET
(SEE TABLE 5 FOR STANDARD MATERIAL)
SHELL SIZE (TABLE 1) _____
MATERIAL (TABLE 5) _____
PLATING (TABLE 6) _____
LANYARD TYPE (TABLE 4) _____
LANYARD LENGTH (IN INCHES) _____
ATTACHMENT REF. (SEE NOTE 1) _____

100P602-16-1-C-WR4-16

100P602 DATA SHEET
PLUG PROTECTION CAP

TO FIT CONNECTOR:
MIL-DTL-26482 SERIES I & II

DRAWING NOT TO SCALE - DIMENSIONS IN MM

THIS DRAWING IS THE COPYRIGHT AND THE PROPERTY OF
POLAMCO LTD. IT MUST NOT BE COPIED, USED FOR
MANUFACTURE OR OTHERWISE DISCLOSED WITHOUT
WRITTEN CONSENT OF THE COMPANY

ISSUE
3

DATE
02/09/2009



POLAMCO LTD

WESTON LOCK
LOWER BRISTOL ROAD
BATH BA2 1EP