

# 63 SERIES CONDUIT ADAPTOR

INTERFACE: S

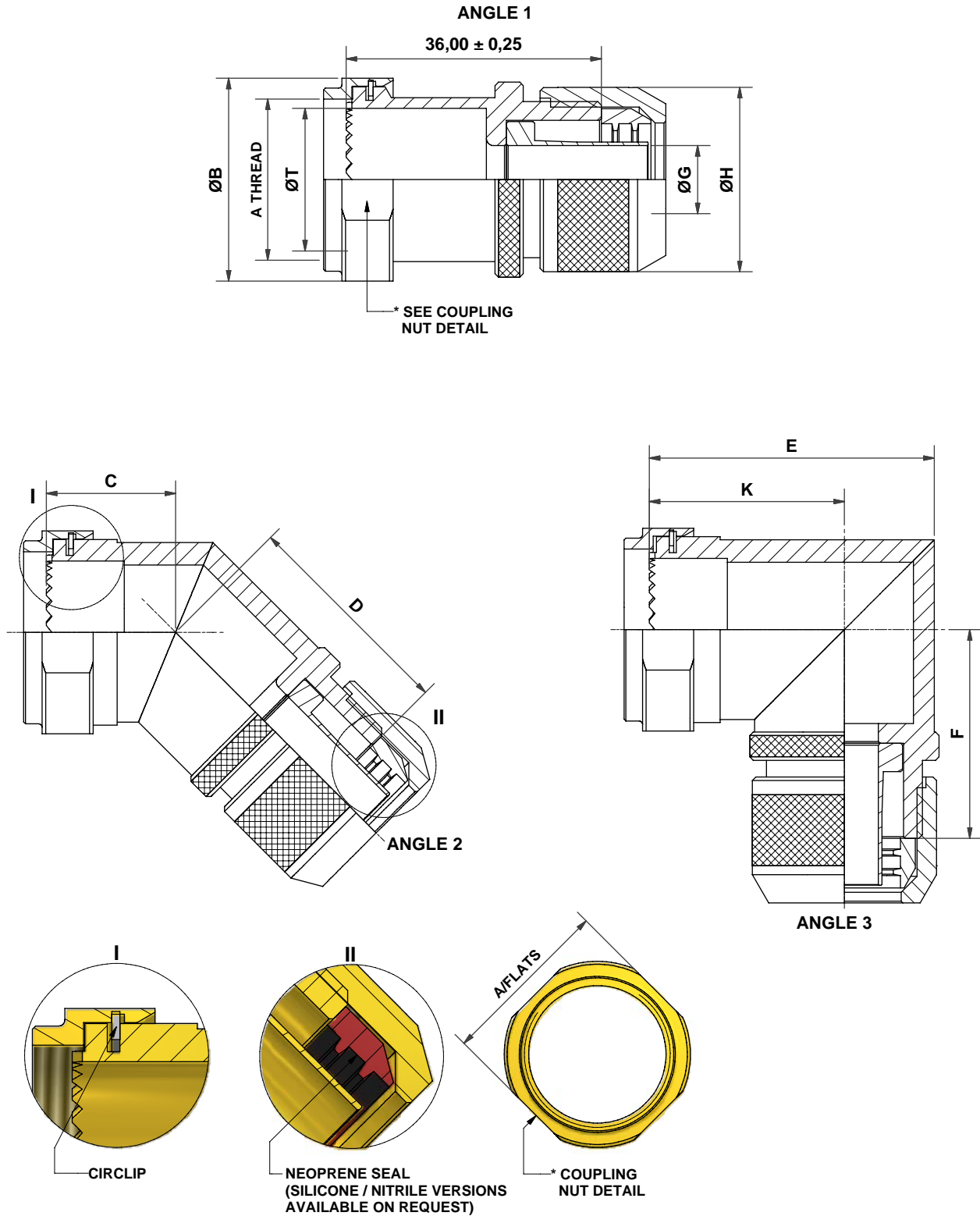
TO FIT TYPICAL CONNECTOR: PATTERN 608 EXCLUDING STYLES 37T & 57T

For modifications see page:



➤ Visit our on-line catalogue or contact sales on ➤ [www.polamco.com](http://www.polamco.com) ➤ [sales@polamco.co.uk](mailto:sales@polamco.co.uk)

SUITABLE FOR USE WITH 100P2589 SERIES CONDUIT



DRAWING NOT TO SCALE  
DIMENSIONS IN MM

NCAGE CODE U5792



# 63 SERIES

## CONDUIT ADAPTOR

INTERFACE: S

TO FIT TYPICAL CONNECTOR: PATTERN 608 EXCLUDING STYLES 37T & 57T

For modifications see page:



➤ Visit our on-line catalogue or contact sales on ➤ [www.polamco.com](http://www.polamco.com) ➤ [sales@polamco.co.uk](mailto:sales@polamco.co.uk)

<b>EXAMPLE PART NUMBER</b>	<b>63</b>	<b>S</b>	<b>1</b>	<b>- 16</b>	<b>- 16</b>	<b>- 1</b>	<b>- C</b>
	SERIES						
	CONNECTOR INTERFACE						
	ANGLE						
	SHELL SIZE (TABLE 1)						
	CONDUIT SIZE (TABLE 2)						
	MATERIAL (2-NICKEL-ALUMINIUM-BRONZE)						
	PLATING (Z-NON-RELECTIVE(SHOT BLAST))						

SHELL SIZE	A THREAD	B MAX	A/FLATS	T MIN	C MAX	D MAX	E MAX	F MAX	K +/- 0,5
08	7/16-28 UNEF	19,3	17,1	8,2	16,1	27,2	27,5	35,3	19,0
10	9/16-24 UNEF	21,3	19,0	11,2	16,9	28,0	31,0	36,8	20,6
12	11/16-24 UNEF	24,3	22,1	14,5	17,3	28,6	34,0	38,3	22,0
14	13/16-20 UNEF	29,2	27,0	17,2	18,2	29,6	37,0	39,8	23,6
16	15/16-20 UNEF	30,8	28,6	20,2	18,5	30,2	40,4	41,5	25,3
18	1 1/16-18 UNEF	33,8	31,7	23,2	19,3	30,9	43,6	43,0	26,8
20	1 3/16-18 UNEF	38,5	36,5	26,2	24,6	31,2	46,8	44,7	28,2
22	1 5/16-18 UNEF	38,5	36,5	29,2	25,6	31,8	49,8	46,2	29,5
24	1 7/16-18 UNEF	42,5	40,4	32,2	25,9	32,5	52,8	47,7	31,2

CONDUIT SIZE	G CABLE MAX	H MAX
13	7,7	23,0
16	9,5	26,0
21	13,4	31,0
28	17,6	38,0
34	22,4	46,0
42	28,6	56,0

PART NUMBER (** - SIZE)	DESCRIPTION
100P2589-N6S-**	STANDARD WEIGHT POLYAMIDE (NYLON) 6
100P2589-N11S-**	STANDARD WEIGHT MODIFIED POLYAMIDE 11
100P2589-N11H-**	HEAVYWEIGHT MODIFIED POLYAMIDE 11
100P2589-PS-**	POLYESTER
100P2589-PKS-**	POLYKETONE (PEEK)

DRAWING NOT TO SCALE  
DIMENSIONS IN MM

NCAGE CODE U5792

