

63 SERIES CONDUIT ADAPTOR

INTERFACE: H

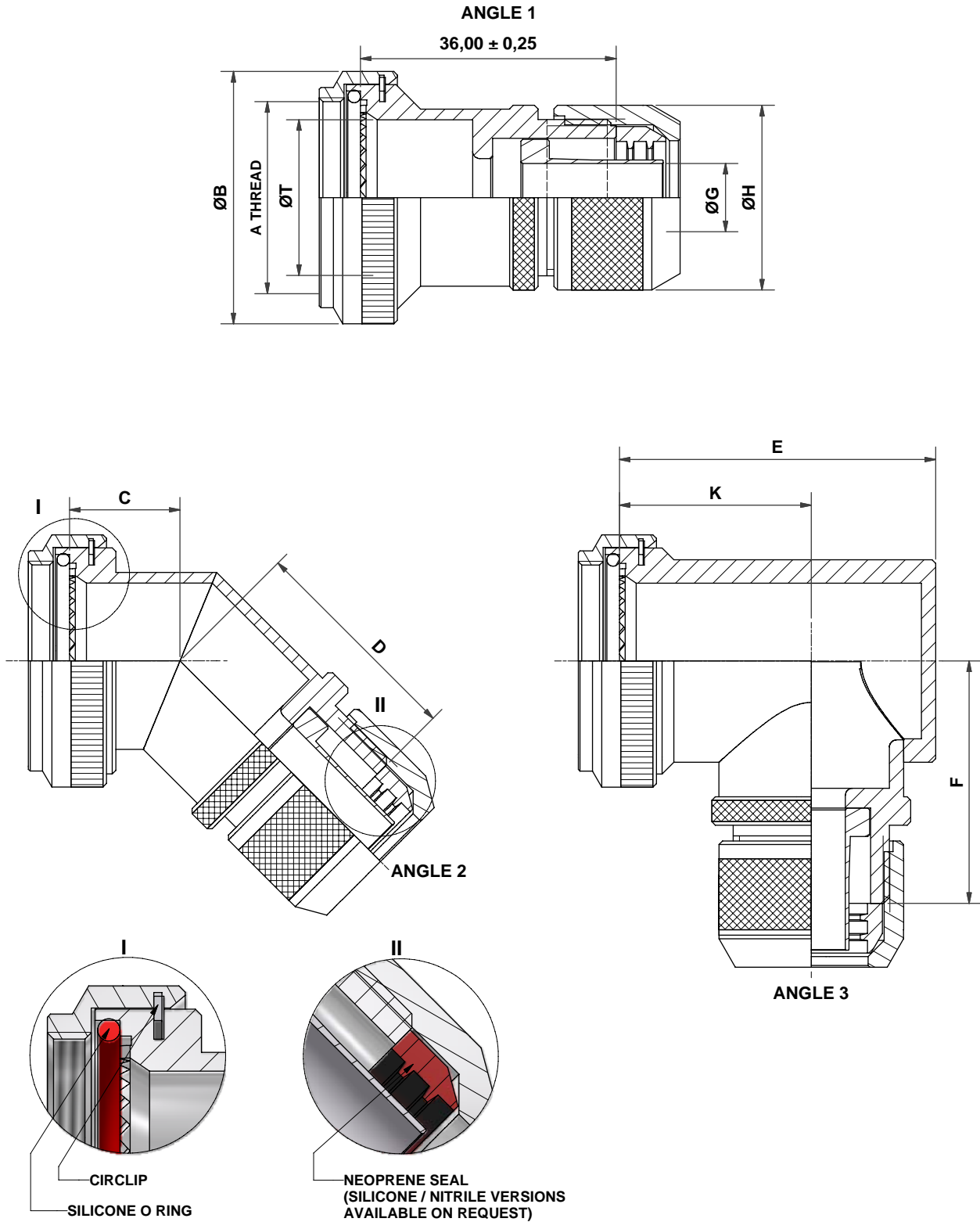
TO FIT TYPICAL CONNECTOR: MIL-DTL-38999 SERIES III & IV

For modifications see page:



➤ Visit our on-line catalogue or contact sales on ➤ www.polamco.com ➤ sales@polamco.co.uk

SUITABLE FOR USE WITH 100P2589 SERIES CONDUIT



DRAWING NOT TO SCALE
DIMENSIONS IN MM

NCAGE CODE U5792



63 SERIES

CONDUIT ADAPTOR

INTERFACE: H

TO FIT TYPICAL CONNECTOR: MIL-DTL-38999 SERIES III & IV

For modifications see page:



➤ Visit our on-line catalogue or contact sales on ➤ www.polamco.com ➤ sales@polamco.co.uk

EXAMPLE PART NUMBER	63	H	1	- 19	- 13	- 1	- C
SERIES	63	H	1	- 19	- 13	- 1	- C
CONNECTOR INTERFACE							
ANGLE							
SHELL SIZE (TABLE 1)							
CONDUIT SIZE (TABLE 2)							
MATERIAL (1-ALUMINIUM ALLOY)							
PLATING (TABLE 3)							

SHELL SIZE	A THREAD	B MAX	T MIN	C MAX	D MAX	E MAX	F MAX	K +/- 0,5
09	M 12 x 1.0	18,0	6,7	13,1	27,2	25,7	35,3	17,5
11	M 15 x 1.0	21,0	10,2	13,9	28,0	26,7	36,8	17,5
13	M 18 x 1.0	24,5	13,5	14,5	28,6	31,2	38,3	20,0
15	M 22 x 1.0	29,0	16,2	15,5	29,6	37,2	39,8	24,5
17	M 25 x 1.0	32,5	19,4	16,1	30,2	40,2	41,5	26,7
19	M 28 x 1.0	35,5	21,8	16,8	30,9	44,7	43,0	27,0
21	M 31 x 1.0	37,0	25,1	17,1	31,2	49,2	44,7	30,5
23	M 34 x 1.0	40,0	28,2	17,7	31,8	41,7	46,2	31,5
25	M 37 x 1.0	43,5	31,4	18,4	32,5	53,2	47,7	28,5

CONDUIT SIZE	G CABLE MAX	H MAX
13	7,7	23,0
16	9,5	26,0
21	13,4	31,0
28	17,6	38,0
34	22,4	46,0
42	28,6	56,0

CODE	PLATING
B	CADMIUM OLIVE DRAB OVER ELECTROLESS NICKEL
C	ELECTROLESS NICKEL
ZB	ZINC COBALT OLIVE DRAB OVER ELECTROLESS NICKEL

LIST NOT EXHAUSTIVE - FOR COMPREHENSIVE LIST AND SPECS SEE WEBSITE

PART NUMBER (** - SIZE)	DESCRIPTION
100P2589-N6S-**	STANDARD WEIGHT POLYAMIDE (NYLON) 6
100P2589-N11S-**	STANDARD WEIGHT MODIFIED POLYAMIDE 11
100P2589-N11H-**	HEAVYWEIGHT MODIFIED POLYAMIDE 11
100P2589-PS-**	POLYESTER
100P2589-PKS-**	POLYKETONE (PEEK)

FOR PRODUCT CHARACTERISTICS SEE 100P2589 DATASHEET

DRAWING NOT TO SCALE
DIMENSIONS IN MM

NCAGE CODE U5792

