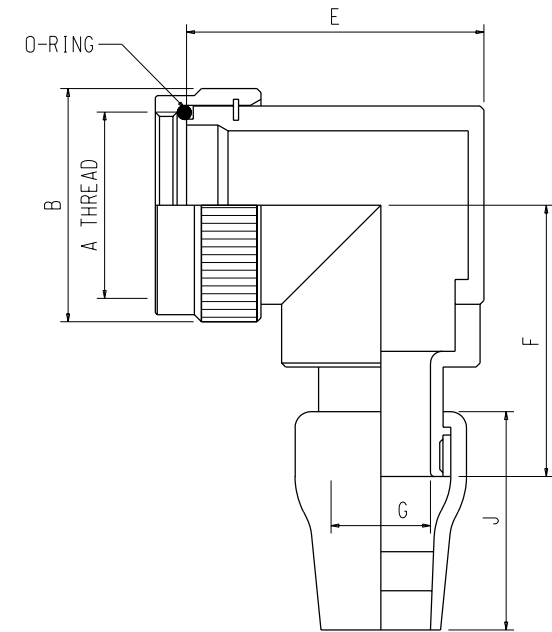
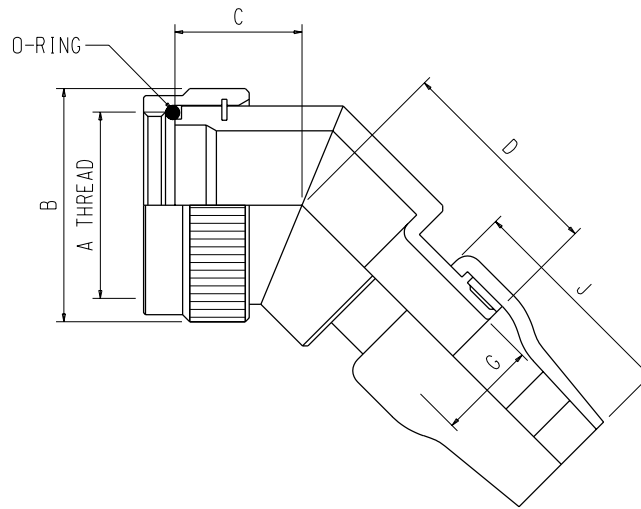
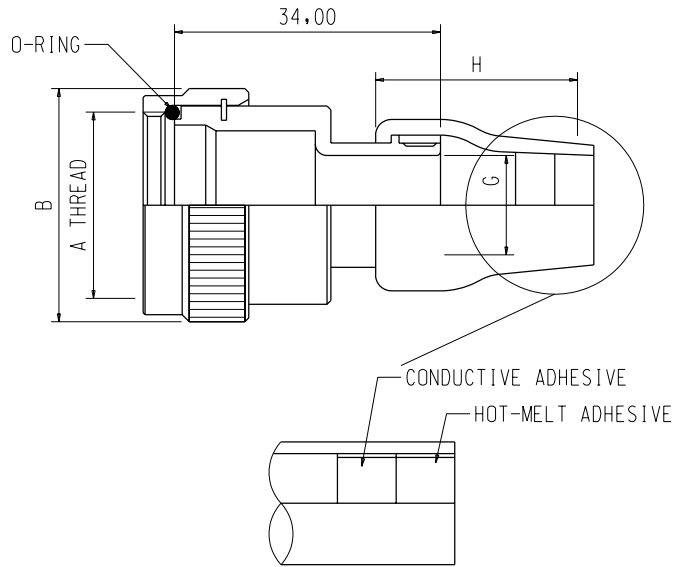


NO ACCESSORY TEETH



SHELL SIZE	A THREAD	B MAX	C MAX	D MAX	E MAX	F MAX
08	$\frac{7}{16}$ -28UNEF	17,3	14,1	24,8	25,2	28,4
10	$\frac{9}{16}$ -24UNEF	20,3	14,9	25,5	28,2	30,2
12	$\frac{11}{16}$ -24UNEF	23,8	15,3	26,1	31,7	31,7
14	$\frac{13}{16}$ -20UNEF	26,8	16,2	26,7	35,2	33,2
16	$\frac{15}{16}$ -20UNEF	29,8	16,5	27,5	38,2	34,9
18	$1\frac{1}{16}$ -18UNEF	33,3	17,3	28,5	41,7	36,5
20	$1\frac{3}{16}$ -18UNEF	36,3	18,2	28,8	45,2	38,1
22	$1\frac{5}{16}$ -18UNEF	39,8	18,5	29,1	48,2	39,6
24	$1\frac{7}{16}$ -18UNEF	42,8	19,4	30,0	51,2	41,1

ENTRY SIZE	G	H LENGTH	J LENGTH	CABLE DIA RANGE
05	7,92	60	40	4,5 - 9,0
08	12,70	60	40	6,0 - 12,0
10	15,88	72	48	7,5 - 15,0
12	19,05	72	48	9,0 - 18,0
16	25,40	95	55	10,0 - 25,0
20	31,80	125	70	12,5 - 25,0
24	38,10	125	70	15,0 - 36,0

TAKK1-16-08-1-C-UB

SERIES \_\_\_\_\_

CONNECTOR INTERFACE \_\_\_\_\_

ANGLE \_\_\_\_\_

SHELL SIZE \_\_\_\_\_

ENTRY SIZE \_\_\_\_\_

MATERIAL \_\_\_\_\_

PLATING \_\_\_\_\_

HEAT SHRINK TERMINATION; UB - UNSCREENED BOOT  
SB - SCREENED BOOT

HEAT SHRINK ADAPTOR	SERIES TAK TO FIT CONNECTOR CODE K
	THIS DRAWING IS THE COPYRIGHT AND THE PROPERTY OF POLAMCO LTD. IT MUST NOT BE COPIED, USED FOR MANUFACTURE OR OTHERWISE DISCLOSED WITHOUT WRITTEN CONSENT OF THE COMPANY
 POLAMCO LTD	WESTON LOCK LOWER BRISTOL ROAD BATH BA2 1EP