

TAK Series

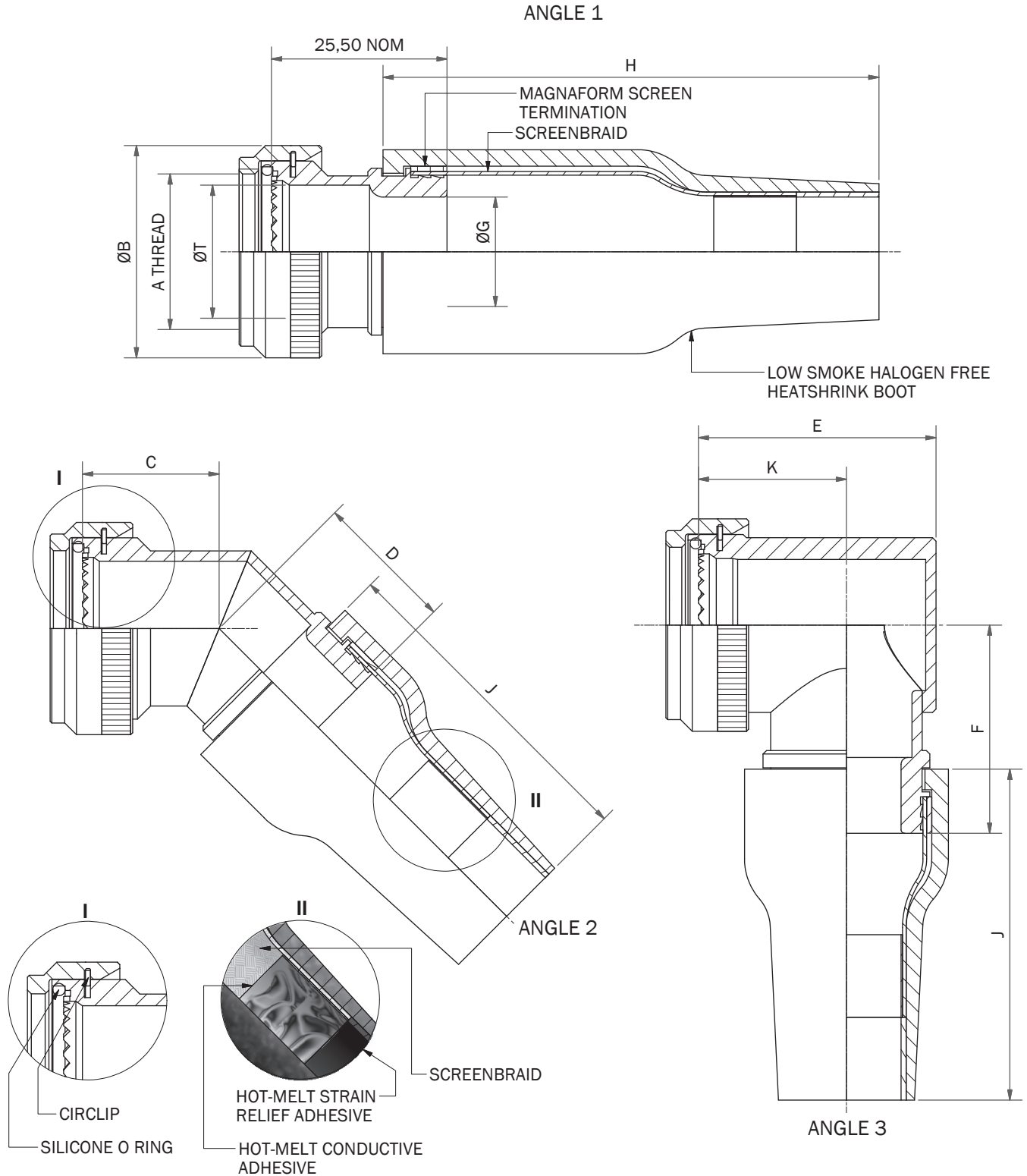
TAK Adaptor

Interface F

To fit typical connector: MIL-DTL-38999 SERIES I



Interconnect Solutions Worldwide



DIMENSIONS AND O RING MATERIAL APPLY FOR ALUMINIUM ONLY. FOR OTHER MATERIALS CONSULT FACTORY
PART NUMBER AND BATCH CODE WILL BE MARKED ON THE ASSEMBLY UNLESS OTHERWISE SPECIFIED

Tel: +44 (0)845 017 1545

DRAWING NOT TO SCALE
DIMENSIONS IN MM

TAK Series

TAK Adaptor

Interface F

To fit typical connector: MIL-DTL-38999 SERIES I



Interconnect Solutions Worldwide

EXAMPLE PART NUMBER: TAKF1-17-08-1-C-UB

TAK =	POLAMCO SERIES
F =	CONNECTOR INTERFACE (MIL-DTL-38999 SERIES I)
1 =	ANGLE - 1 = STRAIGHT 2 = 45° 3 = 90°
17 =	SHELL SIZE (TABLE 1)
08 =	ENTRY SIZE (TABLE 2)
1 =	MATERIAL (ALUMINIUM ALLOY)
C =	PLATING: CLICK TO SEE OPTIONS
UB =	(UB - UNSCREENED BOOT - SB - SCREENED BOOT)

TABLE 1

SHELL SIZE	A THREAD	B MAX	T MIN	C +/- 0,5	D +/- 0,5	E MAX	F MAX	K +/- 0,5
09	7/16-28 UNEF	18,0	6,8	16,4	17,1	22,7	24,0	15,0
11	9/16-24 UNEF	21,0	10,2	17,2	18,2	26,2	25,7	17,0
13	11/16-24 UNEF	24,5	13,1	17,6	18,6	29,2	27,2	18,0
15	13/16-20 UNEF	27,8	16,2	18,5	19,5	32,2	28,7	20,0
17	15/16-20 UNEF	30,8	19,3	19,2	20,3	35,7	30,4	21,5
19	1 1/16-18 UNEF	34,1	22,3	19,6	20,8	39,7	32,0	23,0
21	1 3/16-18 UNEF	37,3	25,8	20,4	21,7	42,2	33,6	25,0
23	1 5/16-18 UNEF	41,0	28,3	20,8	22,0	45,2	35,1	26,0
25	1 7/16-18 UNEF	43,7	31,5	21,7	22,9	48,2	36,6	28,0

TABLE 2

ENTRY SIZE	G MIN	H LENGTH	J LENGTH	CABLE DIA RANGE
05	7,9	60	40	4,5 - 9,0
08	12,7	60	40	6,0 - 12,0
10	15,8	72	48	7,5 - 15,0
12	19,0	72	48	9,0 - 18,0
16	25,4	95	55	10,0 - 25,0
20	31,8	125	70	12,5 - 30,0
24	38,1	125	70	15,0 - 36,0

www.polamco.com