

# TAK SERIES

## TAK ADAPTOR (NICKEL ALUMINIUM BRONZE)

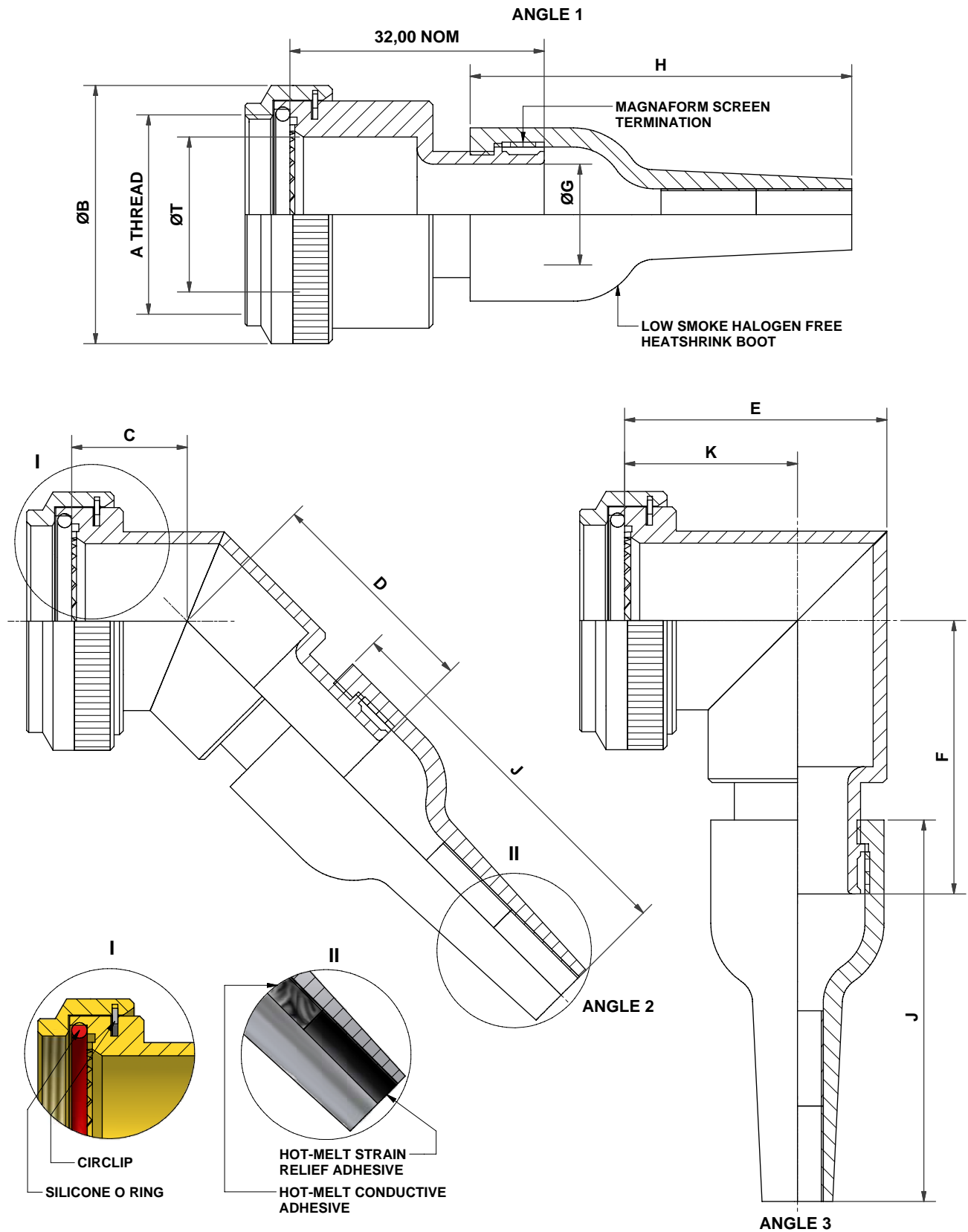
INTERFACE: H

TO FIT TYPICAL CONNECTOR:

For modifications see page:



➤ Visit our on-line catalogue or contact sales on ➤ [www.polamco.com](http://www.polamco.com) ➤ [sales@polamco.co.uk](mailto:sales@polamco.co.uk)



DRAWING NOT TO SCALE  
DIMENSIONS IN MM

IF THIS DOCUMENT IS PRINTED IT BECOMES UNCONTROLLED. CHECK THE LATEST ISSUE.

NCAGE CODE U5792



# TAK SERIES

## TAK ADAPTOR (NICKEL ALUMINIUM BRONZE)

INTERFACE: H

TO FIT TYPICAL CONNECTOR:

For modifications see page:



➤ Visit our on-line catalogue or contact sales on ➤ [www.polamco.com](http://www.polamco.com) ➤ [sales@polamco.co.uk](mailto:sales@polamco.co.uk)

EXAMPLE PART NUMBER	TAK	H	1	- 17	- 08	- 2	- Z	- UB
	SERIES							
	CONNECTOR INTERFACE							
	ANGLE							
	SHELL SIZE (TABLE 1)							
	ENTRY SIZE (TABLE 2)							
	MATERIAL (2-NICKEL ALUMINIUM BRONZE)							
	FINISH (Z-SHOT BLAST NON REFLECTIVE)							
( UB - UNSCREENED BOOT - SB - SCREENED BOOT; )								

SHELL SIZE	A THREAD	B MAX	T MIN	C MAX	D MAX	E MAX	F MAX	K +/- 0,5
09	M12 x 1,0	18,0	6,7	13,1	24,8	21,5	28,5	16,3
11	M15 x 1,0	21,0	10,2	13,9	25,5	24,6	30,2	17,2
13	M18 x 1,0	24,5	13,5	14,5	26,1	28,6	31,7	19,4
15	M22 x 1,0	27,5	16,2	15,5	26,7	31,3	33,2	21,0
17	M25 x 1,0	31,0	19,4	16,1	27,5	34,5	34,9	22,8
19	M28 x 1,0	34,0	21,8	16,8	28,5	38,7	36,5	25,3
21	M31 x 1,0	37,0	25,1	17,1	28,8	41,0	38,1	26,1
23	M34 x 1,0	40,0	28,2	17,7	29,1	43,9	38,6	27,6
25	M37 x 1,0	43,5	31,4	18,4	30,0	46,7	41,1	29,1

ENTRY SIZE	G	H LENGTH	J LENGTH	CABLE DIA RANGE
05	7,9	60	40	4,5 – 9,0
08	12,7	60	40	6,0 – 12,0
10	15,8	72	48	7,5 – 15,0
12	19,0	72	48	9,0 – 18,0
16	25,4	95	55	10,0 – 25,0
20	31,8	125	70	12,5 – 30,0
24	38,1	125	70	15,0 – 36,0

DRAWING NOT TO SCALE  
DIMENSIONS IN MM

IF THIS DOCUMENT IS PRINTED IT BECOMES UNCONTROLLED. CHECK THE LATEST ISSUE.

NCAGE CODE U5792

