

BT Series

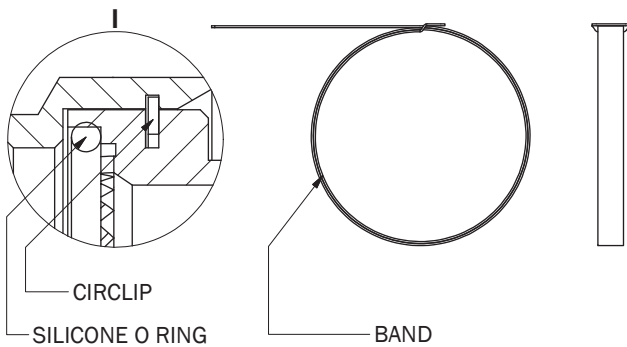
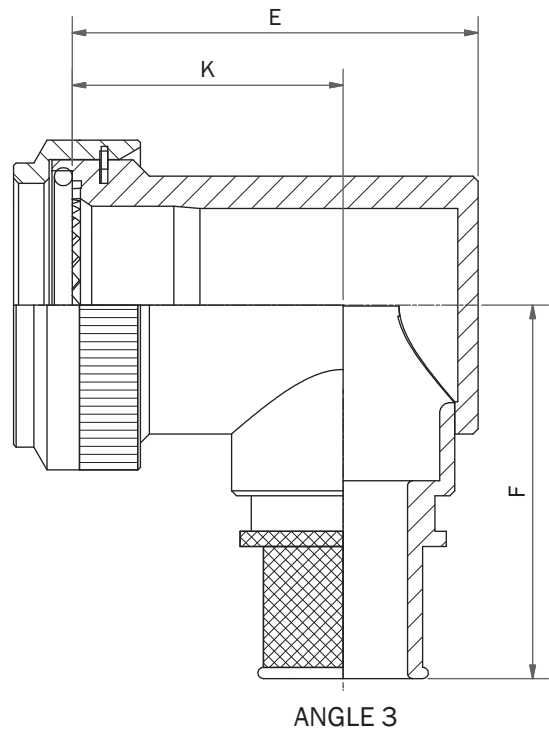
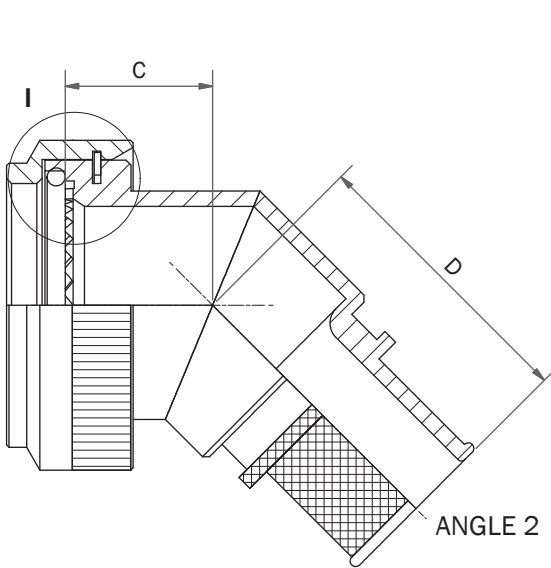
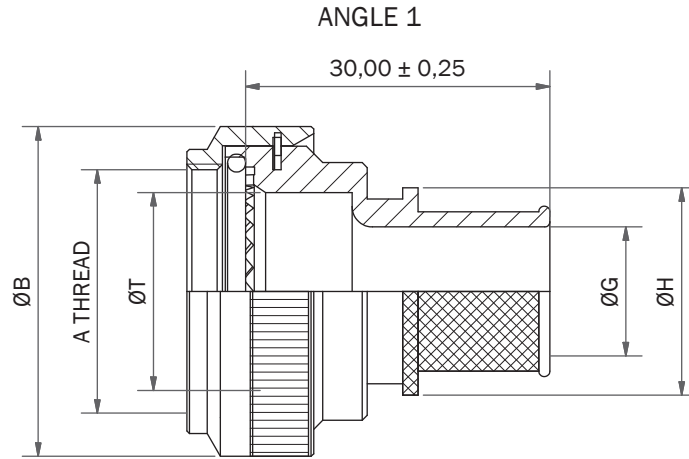
Banding Adaptor

Interface H

To fit typical connector: MIL-DTL-38999 SERIES III & IV



Interconnect Solutions Worldwide



NOTE 1 - BAND REF.
 SB - STANDARD BAND (6,1MM X 362MM)
 MB - MICRO BAND (3,05MM X 207MM)
 OMIT FOR NO BAND REQUIRED

DIMENSIONS AND O RING MATERIAL APPLY FOR ALUMINIUM ONLY. FOR OTHER MATERIALS CONSULT FACTORY
 PART NUMBER AND BATCH CODE WILL BE MARKED ON THE ASSEMBLY UNLESS OTHERWISE SPECIFIED

Tel: +44 (0)845 017 1545

DRAWING NOT TO SCALE
 DIMENSIONS IN MM

THIS DRAWING IS THE PROPERTY OF POLAMCO LTD AND MUST NOT BE USED FOR COMMERCIAL PURPOSES WITHOUT WRITTEN CONSENT OF THE COMPANY

BT Series

Banding Adaptor

Interface H

To fit typical connector: MIL-DTL-38999 SERIES III & IV



Interconnect Solutions Worldwide

EXAMPLE PART NUMBER: BTH1-17-08-1-C-SB	
BT =	POLAMCO SERIES
H =	CONNECTOR INTERFACE (MIL-DTL-38999 SERIES III & IV)
1 =	ANGLE - 1 = STRAIGHT 2 = 45° 3 = 90°
17 =	SHELL SIZE (TABLE 1)
08 =	ENTRY SIZE (TABLE 2)
1 =	MATERIAL (ALUMINIUM ALLOY)
C =	PLATING: CLICK TO SEE OPTIONS
SB =	BAND REF (SEE NOTE 1)
	SB = STANDARD BAND
	MB = MICRO BAND

TABLE 1								
SHELL SIZE	A THREAD	B MAX	T MIN	C MAX	D MAX	E MAX	F MAX	K +/- 0,5
09	M12 x 1.0	18,0	6,7	13,1	25,7	25,7	30,5	17,5
11	M15 x 1.0	21,0	10,2	13,9	26,9	26,7	32,2	17,5
13	M18 x 1.0	24,5	13,5	14,5	27,3	31,2	33,7	20,0
15	M22 x 1.0	29,0	16,2	15,5	28,2	37,2	35,2	24,5
17	M25 x 1.0	32,5	19,4	16,1	29,0	40,2	36,9	26,7
19	M28 x 1.0	35,5	21,8	16,8	29,3	44,7	38,5	27,0
21	M31 x 1.0	37,0	25,1	17,1	30,1	49,2	40,1	30,5
23	M34 x 1.0	40,0	28,2	17,7	30,5	51,7	41,6	31,5
25	M37 x 1.0	43,5	31,4	18,4	31,4	53,2	43,1	28,5

TABLE 2		
ENTRY SIZE	G MIN	H MAX
03	4,7	13,9
04	6,3	13,9
05	7,9	15,5
06	9,5	17,2
07	11,1	18,7
08	12,7	20,3
09	14,2	21,9
10	15,8	23,5
11	17,4	25,1
12	19,0	26,7
13	20,6	28,3
14	22,2	29,9
15	23,8	31,5
16	25,4	33,1
17	27,0	34,7
18	28,6	36,3
19	30,2	37,9
20	31,8	39,5
21	33,3	41,1
22	35,0	42,7
23	36,5	44,3
24	38,1	45,9

www.polamco.com