

# 64 SERIES

## CONE CLAMP ADAPTOR

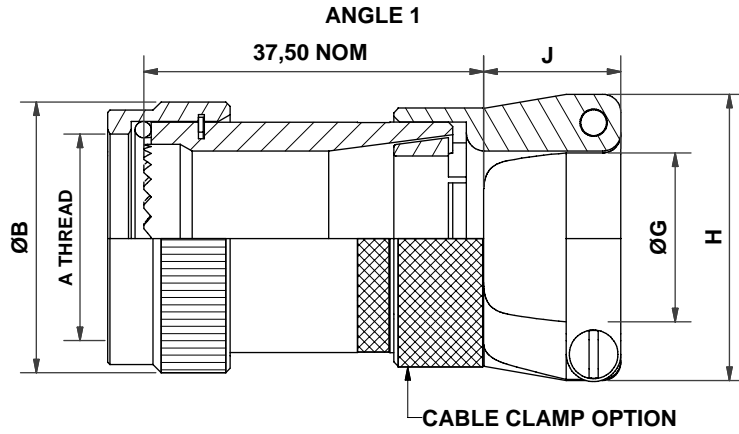
INTERFACE: D

TO FIT TYPICAL CONNECTOR: MIL-DTL-26482 SERIES I, PATT 105, PATT 603, 62GB

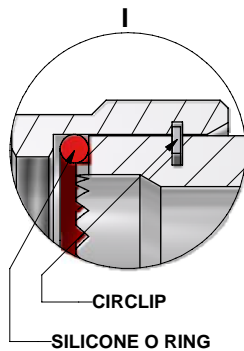
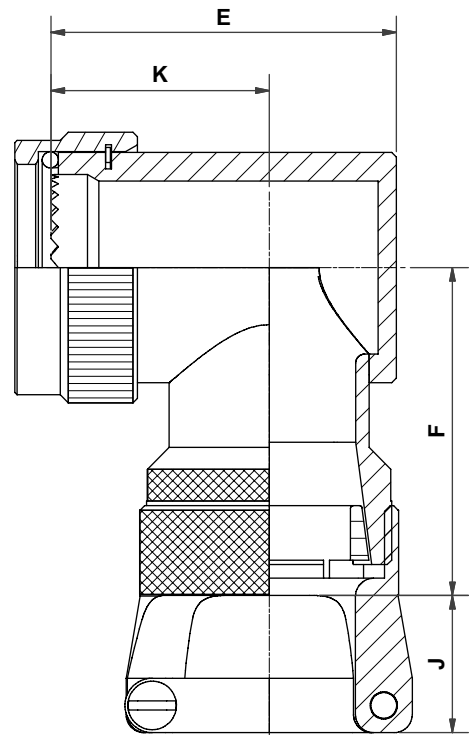
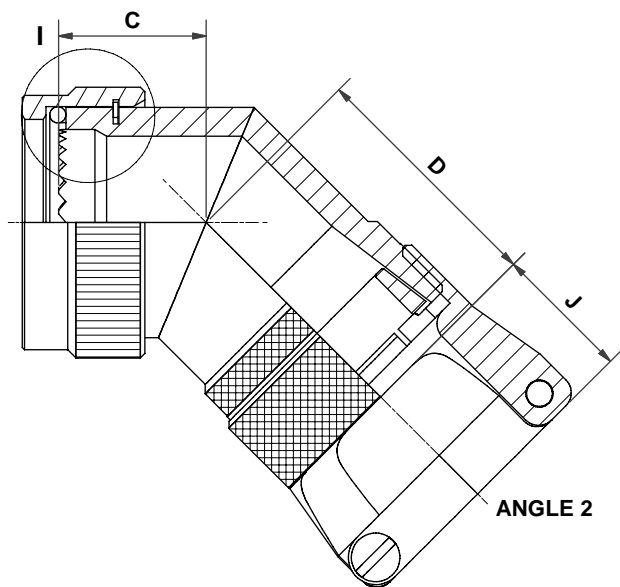
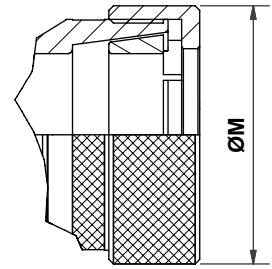
For modifications see page:



➤ Visit our on-line catalogue or contact sales on ➤ [www.polamco.com](http://www.polamco.com) ➤ [sales@polamco.co.uk](mailto:sales@polamco.co.uk)



PLAIN NUT OPTION



DRAWING NOT TO SCALE  
DIMENSIONS IN MM

NCAGE CODE U5792



# 64 SERIES

## CONE CLAMP ADAPTOR

INTERFACE: D

TO FIT TYPICAL CONNECTOR: MIL-DTL-26482 SERIES I, PATT 105, PATT 603, 62GB

For modifications see page:



➤ Visit our on-line catalogue or contact sales on ➤ [www.polamco.com](http://www.polamco.com) ➤ [sales@polamco.co.uk](mailto:sales@polamco.co.uk)

<b>EXAMPLE PART NUMBER</b>	<b>64</b>	<b>D</b>	<b>1</b>	<b>- 16</b>	<b>- 1</b>	<b>- C</b>	<b>- CC</b>
SERIES							
CONNECTOR INTERFACE							
ANGLE							
SHELL SIZE (TABLE 1)							
MATERIAL (1-ALUMINIUM ALLOY)							
PLATING (TABLE 2)							
CABLE CLAMP OPTION (OMIT FOR PLAIN NUT)							

SHELL SIZE	A THREAD	B MAX	C +/-0,5	D MAX	E MAX	F NOM	G MIN	H MAX	M MAX	J MAX	K +/- 0,5
08	7/16-28 UNEF	17,3	14,1	24,6	25,2	28,5	6,6	20,7	16,0	15,2	17,5
10	9/16-24 UNEF	20,3	14,9	25,4	28,2	31,5	9,3	23,8	19,0	15,2	18,6
12	11/16-24 UNEF	23,8	15,3	26,3	31,7	33,0	12,6	27,0	22,0	15,2	20,5
14	13/16-20 UNEF	26,8	16,2	26,7	35,2	34,5	14,6	28,6	26,5	15,2	22,5
16	15/16-20 UNEF	29,8	16,5	27,5	38,2	36,2	17,7	31,8	29,8	15,2	24,0
18	1 1/16-18 UNEF	33,3	17,3	27,8	41,7	37,8	19,8	35,0	33,0	18,2	26,0
20	1 3/16-18 UNEF	36,3	18,2	28,6	45,2	39,4	23,0	38,1	35,0	18,2	28,0
22	1 5/16-18 UNEF	39,8	18,5	29,5	48,2	40,9	26,2	39,7	38,0	18,2	29,5
24	1 7/16-18 UNEF	42,8	19,4	29,9	51,2	42,4	29,1	44,5	41,0	18,2	31,0

CODE	PLATING
B	CADMIUM OLIVE DRAB OVER ELECTROLESS NICKEL
C	ELECTROLESS NICKEL
ZB	ZINC COBALT OLIVE DRAB OVER ELECTROLESS NICKEL

LIST NOT EXHAUSTIVE - FOR COMPREHENSIVE LIST AND SPECS SEE WEBSITE

DRAWING NOT TO SCALE  
DIMENSIONS IN MM

NCAGE CODE U5792

