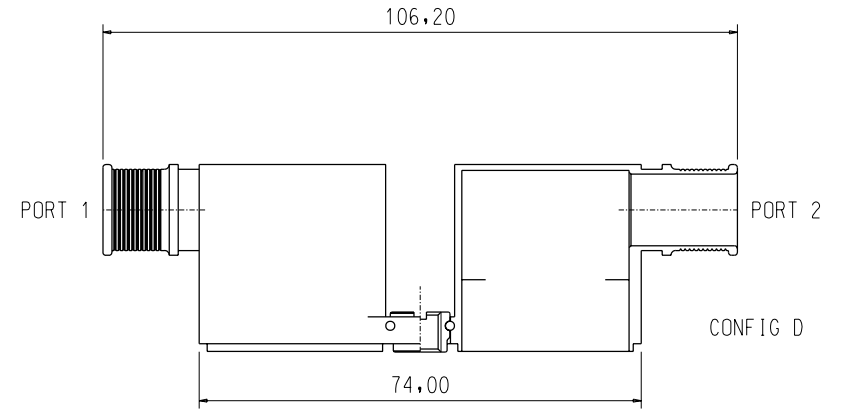
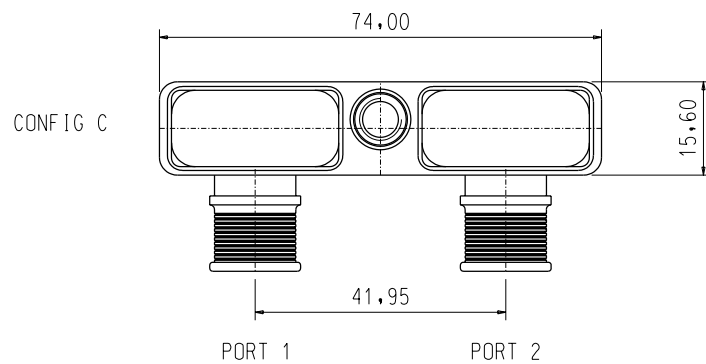
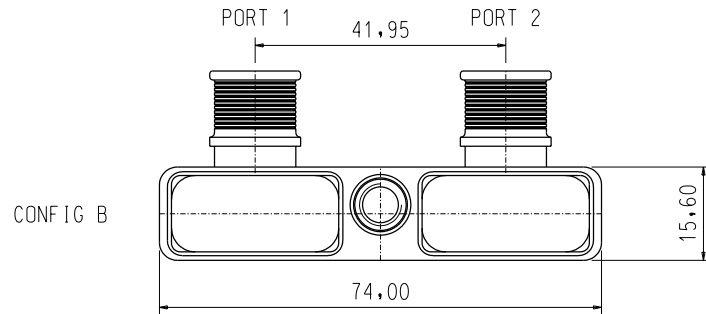
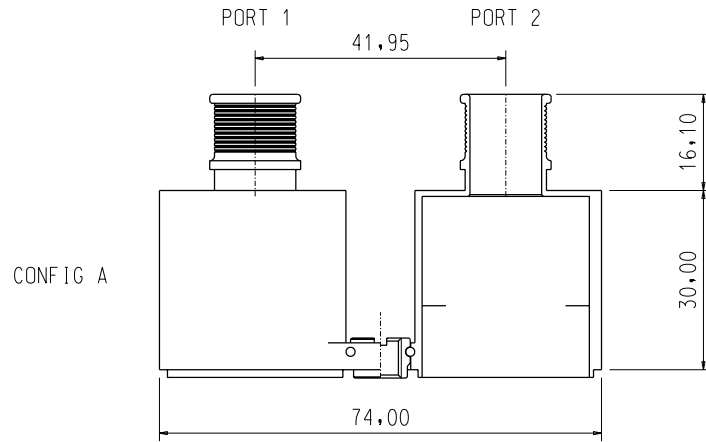



ENTRY SIZE	A	B
01	3,0	6,2
02	6,0	9,2
03	9,0	12,2
04	12,0	15,2



ALTERNATIVE ENTRY PORT CONFIGURATIONS AVAILABLE ON REQUEST. PLEASE CONTACT SALES OFFICE

PEPX2 A-03-04-1-C

SERIES _____
 ENTRY PORT CONFIGURATION _____
 ENTRY PORT 1 SIZE _____
 ENTRY PORT 2 SIZE _____
 MATERIAL _____
 PLATING _____

BAND-IT ADAPTOR	SERIES PEPX2 TO FIT RADIAL CONNECTOR EPX #2
	THIS DRAWING IS THE COPYRIGHT AND THE PROPERTY OF POLAMCO LTD. IT MUST NOT BE COPIED, USED FOR MANUFACTURE OR OTHERWISE DISCLOSED WITHOUT WRITTEN CONSENT OF THE COMPANY
 POLAMCO LTD WESTON LOCK LOWER BRISTOL ROAD BATH BA2 1EP	