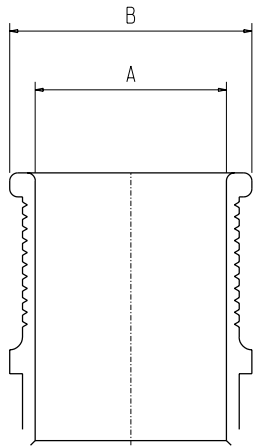
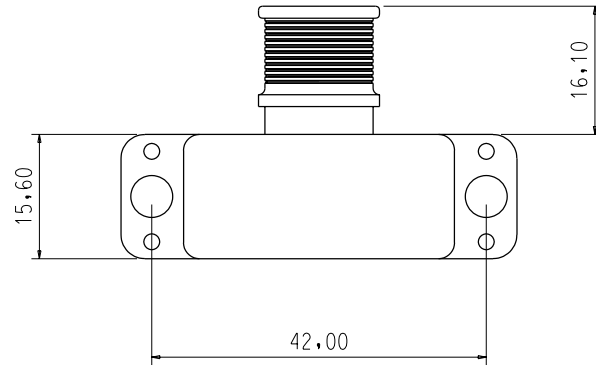


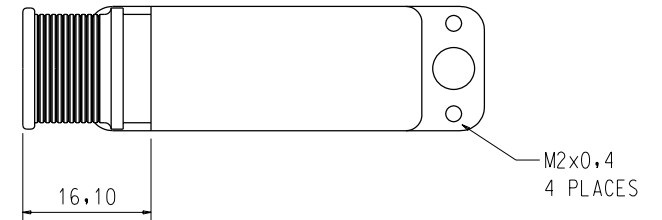
PORT DETAIL



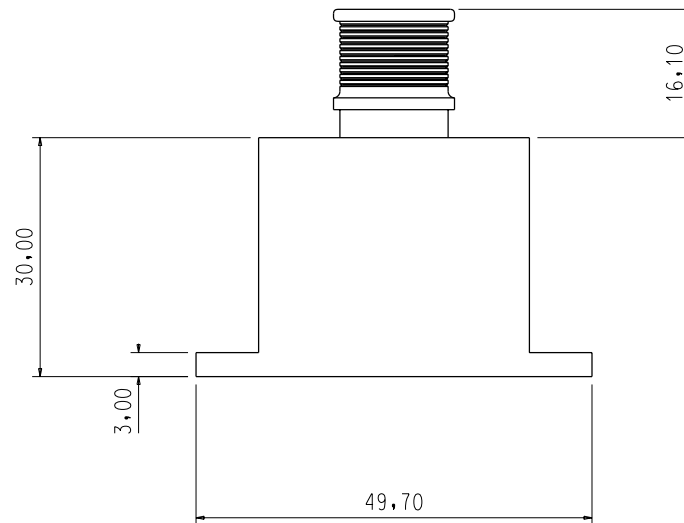
ENTRY SIZE	A	B
01	3,0	6,2
02	6,0	9,2
03	9,0	12,2
04	12,0	15,2



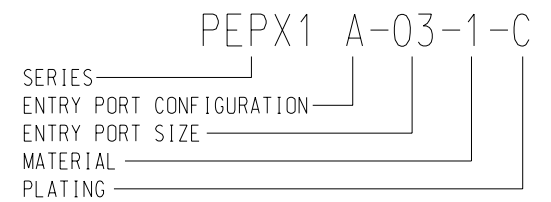
CONFIGURATION B



CONFIGURATION C



CONFIGURATION A



BAND-IT
ADAPTOR

SERIES PEPX1
TO FIT RADIAL CONNECTOR EPX #1

THIS DRAWING IS THE COPYRIGHT AND THE PROPERTY OF
POLAMCO LTD. IT MUST NOT BE COPIED, USED FOR
MANUFACTURE OR OTHERWISE DISCLOSED WITHOUT WRITTEN
CONSENT OF THE COMPANY



POLAMCO LTD

WESTON LOCK
LOWER BRISTOL ROAD
BATH BA2 1EP