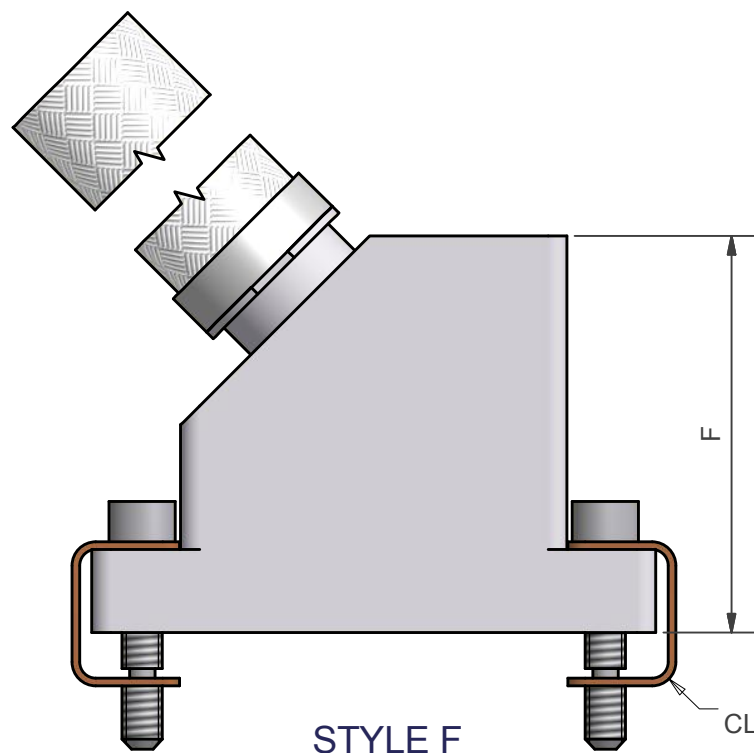


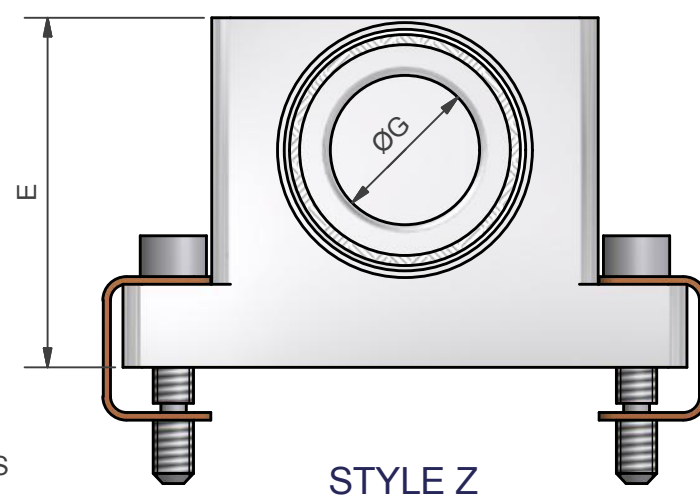
STYLE U

OPTIONAL FEMALE JACKPOSTS



STYLE F

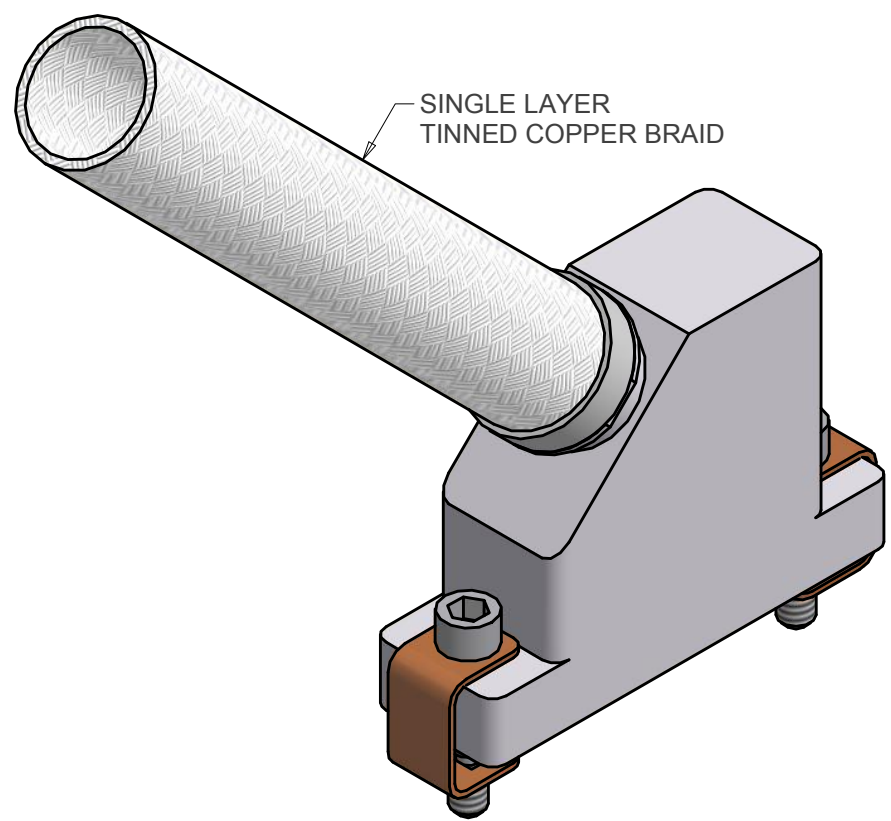
SUPPLIED WITH CLIPS & JACKSCREWS



STYLE Z

TABLE 1

SHELL SIZE	A	B	C	D	E	F
09	19,70	14,35	9,0	11,0	16,0	17,0
15	23,40	18,16	9,0	11,0	16,5	18,0
21	27,30	21,97	9,0	11,0	17,5	19,0
25	29,85	24,51	9,0	15,0	18,5	21,0
31	33,70	28,32	9,0	15,0	19,0	22,0
37	37,50	32,13	9,0	20,0	19,0	24,0
51	36,10	30,86	10,0	20,0	22,0	25,0
100	55,00	45,72	11,00	30,0	25,5	27,0



SINGLE LAYER TINNED COPPER BRAID

TABLE 2A - CIRCULAR ENTRY

ENTRY SIZE	SHELL SIZE	G
04	09-100	3,2
05	09-100	4,0
06	09-100	4,8
07	09-100	5,6
08	09-100	6,4
10*	15-100	7,9
12*	15-100	9,5
16*	21-100	12,7

TABLE 2B - RECTANGULAR ENTRY (STYLES U & F ONLY)

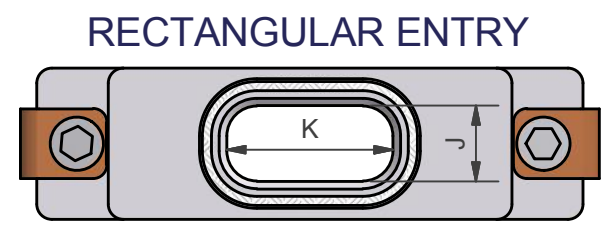
ENTRY SIZE	SHELL SIZE	J	K
09	21-100	5,0	11,0
12	21-100	5,8	13,3
16	51-100	6,5	22,5

* - STYLE Z ONLY. CIRCULAR ENTRY SIZE 16 HAS 3,5MM WIDE BOOT GROOVE

TABLE 3

CODE	PLATING
C	ELECTROLESS NICKEL
B	CADMIUM OLIVE DRAB OVER ELECTROLESS NICKEL
ZB	ZINC COBALT OLIVE DRAB OVER ELECTROLESS NICKEL

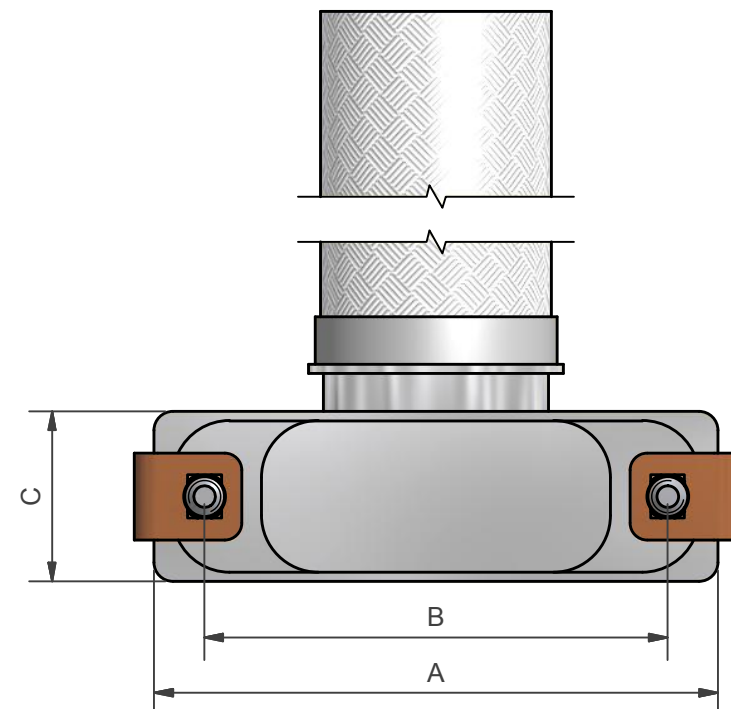
LIST NOT EXHAUSTIVE - FOR COMPREHENSIVE LIST AND SPECS SEE WEBSITE



RECTANGULAR ENTRY

70MMTB-U-25-08-1-C-F

- SERIES
- STYLE
- SHELL SIZE (SEE TABLE 1)
- ENTRY SIZE (SEE TABLE 2A / 2B)
- MATERIAL (1 - ALUMINIUM ALLOY)
- PLATING (SEE TABLE 3)
- FEMALE JACKPOST (OMIT FOR MALE JACKSCREW)



70MMTB DATA SHEET
MICRO MIN MAGNAFORM ADAPTOR

TO FIT CONNECTOR:
MIL-DTL-83513

THIRD ANGLE PROJECTION	DRAWING NOT TO SCALE DIMENSIONS IN MM	P15991
THIS DRAWING IS THE COPYRIGHT AND THE PROPERTY OF POLAMCO LTD. IT MUST NOT BE COPIED, USED FOR MANUFACTURE OR OTHERWISE DISCLOSED WITHOUT WRITTEN CONSENT OF THE COMPANY		ISSUE 1 DATE 25/03/2011

POLAMCO LTD WESTON LOCK
LOWER BRISTOL ROAD
BATH BA2 1EP