

TABLE 1

SHELL SIZE	A	B	C	D	E	F
09	19,70	14,35	9,0	10,0	15,0	21,0
15	23,40	18,16	9,0	12,0	16,5	23,0
21	27,30	21,97	9,0	14,0	18,0	25,0
25	29,85	24,51	9,0	16,0	20,0	27,0
31	33,70	28,32	9,0	17,0	21,0	28,0
37	37,50	32,13	9,0	18,0	22,0	29,0
51	36,10	30,86	10,0	19,0	23,0	30,0
100	55,00	45,72	11,00	21,0	25,0	38,0

TABLE 2A - STYLES U & Z

ENTRY SIZE	SHELL SIZE	J	K
01	09-100	1,6	1,6
02	09-100	3,2	3,2
03	09-100	4,8	4,8
04	09-100	5,8	7,0
05	15-100	5,8	10,8
06	25-100	5,8	15,2
07	37-100	5,8	20,1
08	51-100	6,8	22,8
09	100	7,8	26,0

TABLE 2B - STYLE F

ENTRY SIZE	SHELL SIZE	J	K
01	09-100	1,6	1,6
02	09-100	3,2	3,2
03	09-100	4,8	4,8
04	21-100	5,8	7,0
05	25-100	5,8	10,8
06	37-100	5,8	15,2
07	51-100	6,8	17,7
08	100	7,8	20,6
09	100	7,8	26,0

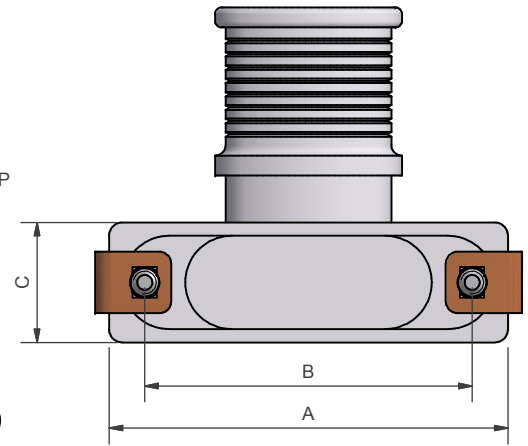
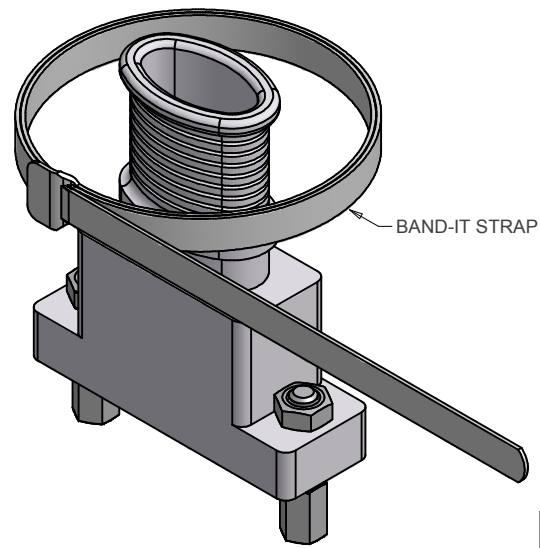


TABLE 3

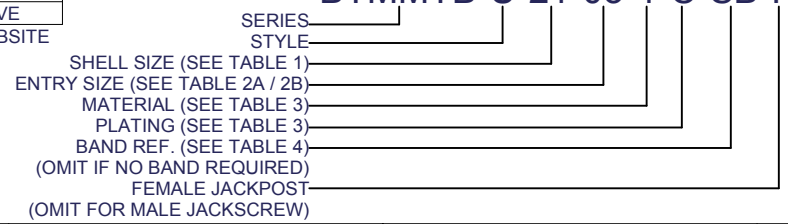
CODE	MATERIAL / PLATING
1-C	ALUMINIUM / ELECTROLESS NICKEL
1-B	ALUMINIUM / CADMIUM OLIVE DRAB OVER ELECTROLESS NICKEL
1-ZB	ALUMINIUM / ZINC COBALT OLIVE DRAB OVER ELECTROLESS NICKEL
4-J	STAINLESS STEEL / PASSIVATE
2-Z	NICKEL ALUMINIUM BRONZE / SHOT BLAST NON REFLECTIVE

LIST NOT EXHAUSTIVE - FOR COMPREHENSIVE LIST AND SPECS SEE WEBSITE

TABLE 4

BAND REF:	DESCRIPTION	DIMENSIONS
SB	STANDARD BAND	6,1MM X 362MM
MB	MICROBAND	3,05MM X 207MM
LS	LONG (STANDARD WIDTH) BAND	6,1MM X 457MM
LM	LONG (MICRO WIDTH) BAND	3,05MM X 362MM

BTMMTB-U-21-03-1-C-SB-F



BTMMTB DATA SHEET
MICRO-MINIATURE BAND ADAPTOR
 TO FIT CONNECTOR:
 MIL-DTL-83513

	THIRD ANGLE PROJECTION	DRAWING NOT TO SCALE DIMENSIONS IN MM	P10381
THIS DRAWING IS THE COPYRIGHT AND THE PROPERTY OF POLAMCO LTD. IT MUST NOT BE COPIED, USED FOR MANUFACTURE OR OTHERWISE DISCLOSED WITHOUT WRITTEN CONSENT OF THE COMPANY			ISSUE 2 DATE 19/08/2008
		WESTON LOCK LOWER BRISTOL ROAD BATH BA2 1EP	