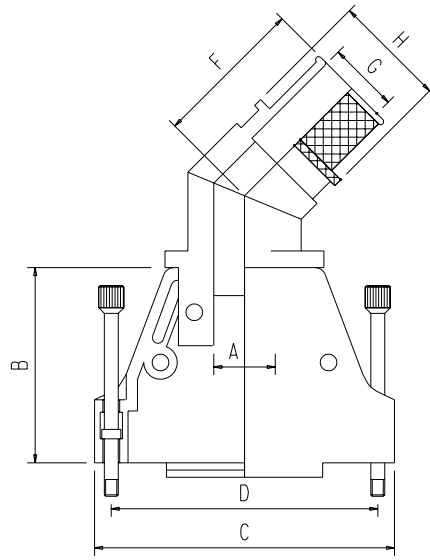
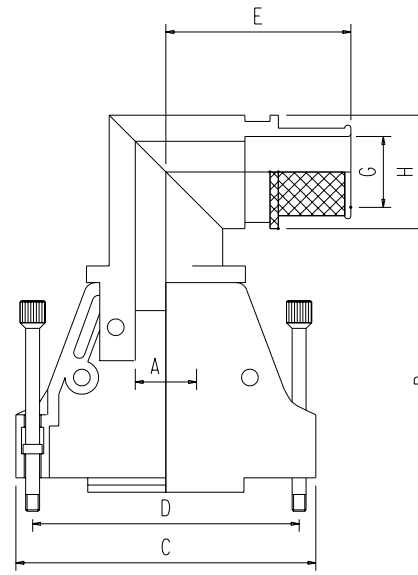


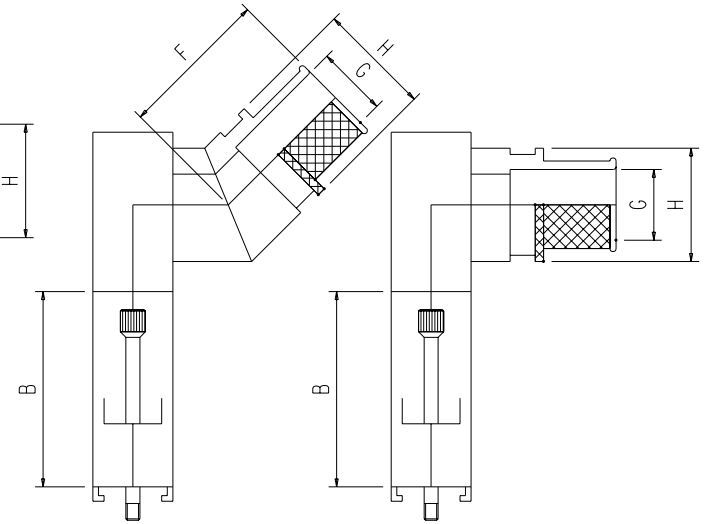
SERIES 100P354



SERIES 100P917



SERIES 100P664



SERIES 100P919

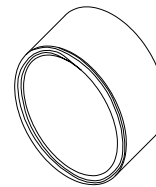
SERIES 100P918

SHELL SIZE	A	B MAX	C	D	E MAX	F MAX
09	8,7	30,0	31,7	25,0	29,0	14,5
15	8,7	32,0	40,0	33,3	33,0	15,0
25	11,0	35,0	53,7	47,0	40,0	16,5
37	11,0	41,0	70,2	63,5	48,0	17,5
50	13,5	41,0	67,8	61,1	47,0	19,3

ENTRY SIZE	G	H MAX	SPRING REF.
03	4,77	13,9	HE050
04	6,35	13,9	HE050
05	7,92	15,5	HE100
06	9,52	17,2	HE100
07	11,10	18,7	HE100
08	12,70	20,3	HE200
09	14,27	21,9	HE200
10	15,88	23,5	HE200
11	17,47	25,1	HE200
12	19,05	26,7	HE300
13	20,62	28,3	HE300
14	22,23	29,9	HE300
15	23,82	31,5	HE300
16	25,40	33,1	HE300

ASSEMBLY CONSISTS OF

1. ZINC DIE-CAST D HOOD - NICKEL PLATED
2. MOUNTING SCREWS
3. RUBBER BUSHING
4. SPRING



100P354-25-08-1-C-HE200

SERIES _____

SHELL SIZE _____

ENTRY SIZE _____

MATERIAL _____

PLATING _____

SPRING REF. _____

SPRING
ADAPTOR

D HOOD ADAPTORS
TO FIT CONNECTOR SPEC MIL-C-24308

THIS DRAWING IS THE COPYRIGHT AND THE PROPERTY OF
POLAMCO LTD. IT MUST NOT BE COPIED, USED FOR
MANUFACTURE OR OTHERWISE DISCLOSED WITHOUT WRITTEN
CONSENT OF THE COMPANY



POLAMCO LTD

WESTON LOCK
LOWER BRISTOL ROAD
BATH BA2 1EP