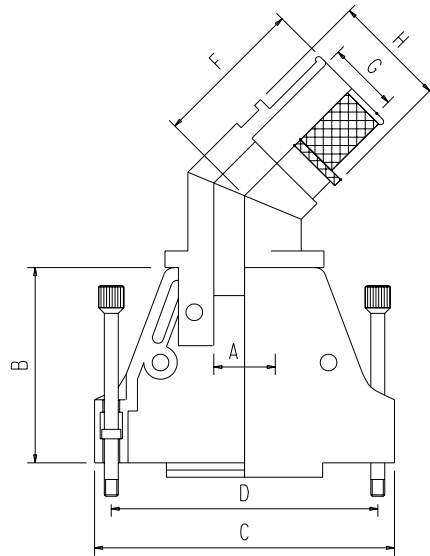
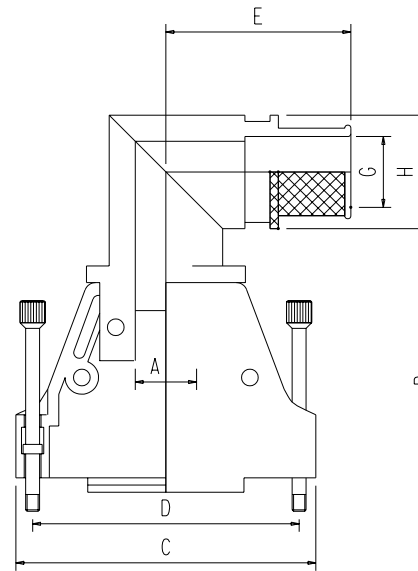


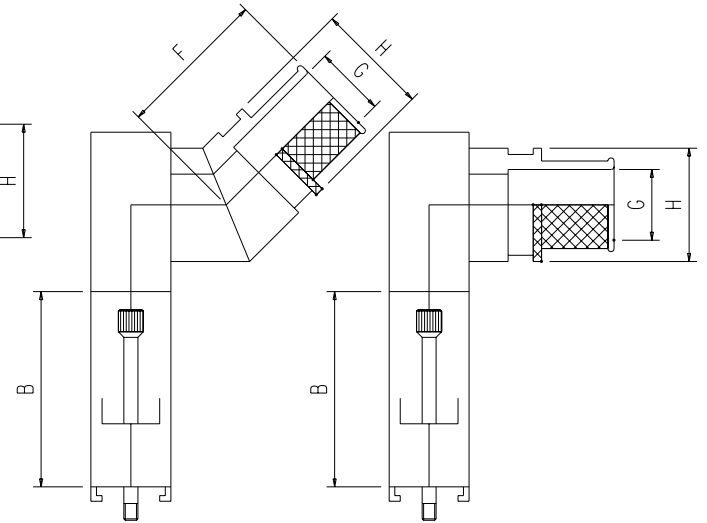
SERIES BTP354



SERIES BTP917



SERIES BTP664



SERIES BTP919

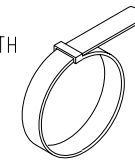
SERIES BTP918

SHELL SIZE	A	B MAX	C	D	E MAX	F MAX
09	8,7	30,0	31,7	25,0	29,0	14,5
15	8,7	32,0	40,0	33,3	33,0	15,0
25	11,0	35,0	43,7	47,0	40,0	16,5
37	11,0	41,0	70,2	63,5	48,0	17,5
50	13,5	41,0	67,8	61,1	47,0	19,3

ENTRY SIZE	G	H MAX
03	4,77	13,9
04	6,35	13,9
05	7,92	15,5
06	9,52	17,2
07	11,10	18,7
08	12,70	20,3
09	14,27	21,9
10	15,88	23,5
11	17,47	25,1
12	19,05	26,7
13	20,62	28,3
14	22,23	29,9
15	23,82	31,5
16	25,40	33,1

ASSEMBLY CONSISTS OF

1. ZINC DIE-CAST D HOOD - NICKEL PLATED
  2. MOUNTING SCREWS
  3. RUBBER BUSHING
  4. BAND-IT STRAP - STANDARD 1/4" WIDTH
- CONSULT FACTORY FOR OPTIONS



BTP354-25-08-1-C

SERIES \_\_\_\_\_  
 SHELL SIZE \_\_\_\_\_  
 ENTRY SIZE \_\_\_\_\_  
 MATERIAL \_\_\_\_\_  
 PLATING \_\_\_\_\_

BAND-IT  
ADAPTOR

D HOOD ADAPTORS  
TO FIT CONNECTOR SPEC MIL-C-24308

THIS DRAWING IS THE COPYRIGHT AND THE PROPERTY OF  
POLAMCO LTD. IT MUST NOT BE COPIED, USED FOR  
MANUFACTURE OR OTHERWISE DISCLOSED WITHOUT WRITTEN  
CONSENT OF THE COMPANY



POLAMCO LTD

WESTON LOCK  
LOWER BRISTOL ROAD  
BATH BA2 1EP