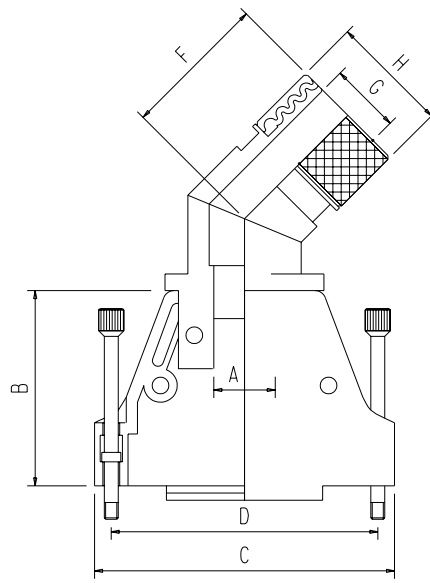
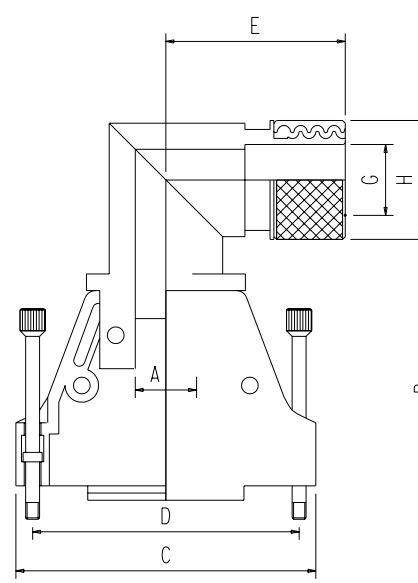


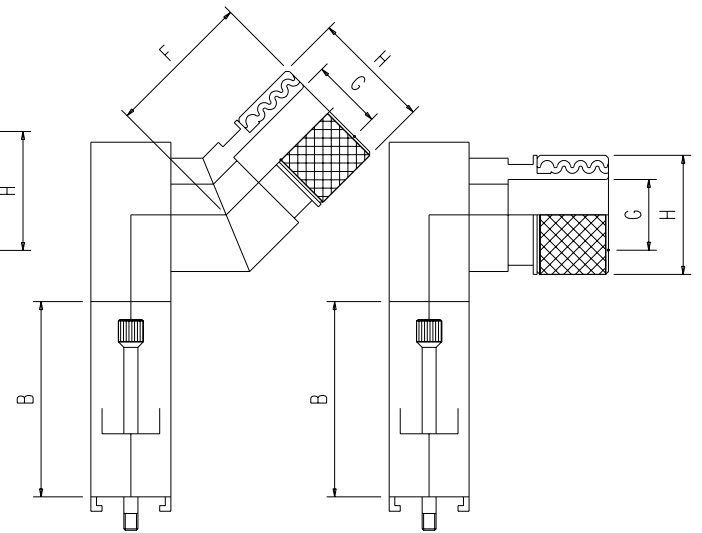
SERIES 100P265



SERIES 100P920



SERIES 100P665



SERIES 100P922

SERIES 100P921

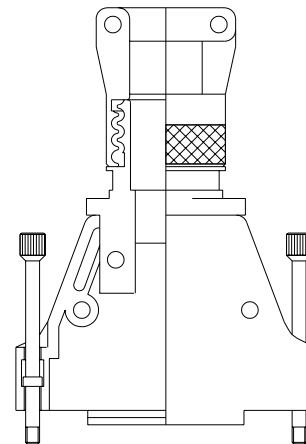
SHELL SIZE	A	B MAX	C	D	E MAX	F MAX
09	8,7	30,0	31,7	25,0	29,0	14,5
15	8,7	32,0	40,0	33,3	33,0	15,0
25	11,0	35,0	53,7	47,0	40,0	16,5
37	11,0	41,0	70,2	63,5	48,0	17,5
50	13,5	41,0	67,8	61,1	47,0	19,3

ENTRY SIZE	G	H MAX
03	4,77	15,0
04	6,35	15,0
05	7,92	16,6
06	9,52	18,2
07	11,10	20,0
08	12,70	21,4
09	14,27	23,0
10	15,88	24,5
11	17,47	26,2
12	19,05	27,7
13	20,62	29,3
14	22,23	30,1
15	23,82	32,5
16	25,40	34,1

ASSEMBLY CONSISTS OF


1. ZINC DIE-CAST D HOOD - NICKEL PLATED
2. MOUNTING SCREWS
3. RUBBER BUSHING

CABLE CLAMP OPTION



100P265-25-08-1-C(-CC)

SERIES \_\_\_\_\_  
 SHELL SIZE \_\_\_\_\_  
 ENTRY SIZE \_\_\_\_\_  
 MATERIAL \_\_\_\_\_  
 PLATING \_\_\_\_\_  
 CABLE CLAMP OPTION \_\_\_\_\_

BRAID TRAP ADAPTOR	D HOOD ADAPTORS TO FIT CONNECTOR SPEC MIL-C-24308
	THIS DRAWING IS THE COPYRIGHT AND THE PROPERTY OF POLAMCO LTD. IT MUST NOT BE COPIED, USED FOR MANUFACTURE OR OTHERWISE DISCLOSED WITHOUT WRITTEN CONSENT OF THE COMPANY
 <b>POLAMCO LTD</b>	
WESTON LOCK LOWER BRISTOL ROAD BATH BA2 1EP	