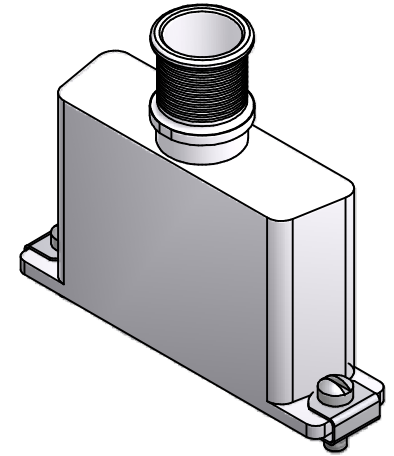
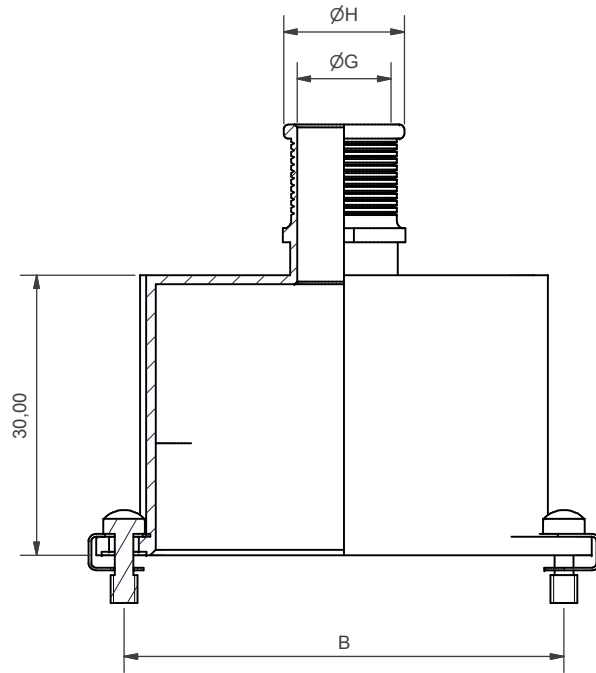
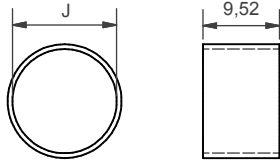
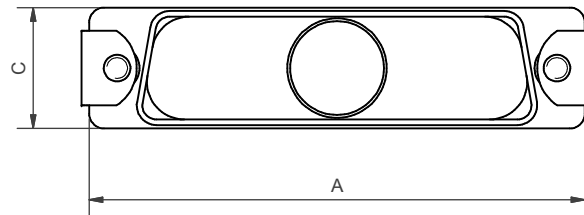


SPRING REF.	J
HE050	7,34
HE100	9,22
HE200	14,50



SHELL SIZE	A	B	C	MAX ENTRY
09	31,0	24,99	12,93	06
15	39,5	33,32	12,93	06
25	53,0	47,04	12,93	06
37	69,5	63,50	12,93	06
50	66,9	61,11	15,75	08
104	69,4	63,50	17,35	09

ENTRY SIZE	G	H MAX
01	3,18	9,0
02	4,75	9,0
03	6,86	13,1
04	7,37	13,1
05	7,92	13,1
06	10,03	16,5
07	10,67	16,5
08	12,70	16,5
09	14,27	17,5



NOTES:
 STANDARD BACKSHELL DEPTH - 30,0mm
 FOR ALTERNATIVE OPTIONS PLEASE CONSULT SALES OFFICE

ASSEMBLY CONSISTS OF:
 1. LOCKING HARDWARE
 2. SPRING

D25-1-91-06-1-C

CONNECTOR TYPE
 CONNECTOR SHELL SIZE
 ANGLE (1 - TOP ENTRY/STRAIGHT)
 ENTRY STYLE (91 - SPRING TERMINATION)
 ENTRY SIZE
 MATERIAL
 PLATING

SPRING ADAPTOR	D SUB-MINIATURE
	TO FIT CONNECTOR MIL-C-24308
THIS DRAWING IS THE COPYRIGHT AND THE PROPERTY OF POLAMCO LTD. IT MUST NOT BE COPIED, USED FOR MANUFACTURE OR OTHERWISE DISCLOSED WITHOUT WRITTEN CONSENT OF THE COMPANY	
	POLAMCO LTD WESTON LOCK LOWER BRISTOL ROAD BATH BA2 1EP