

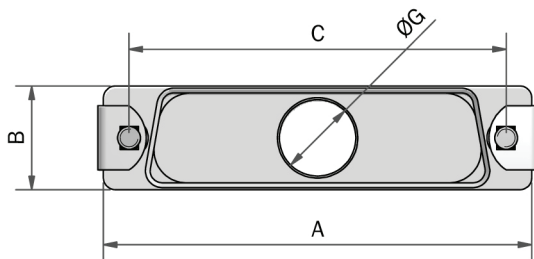
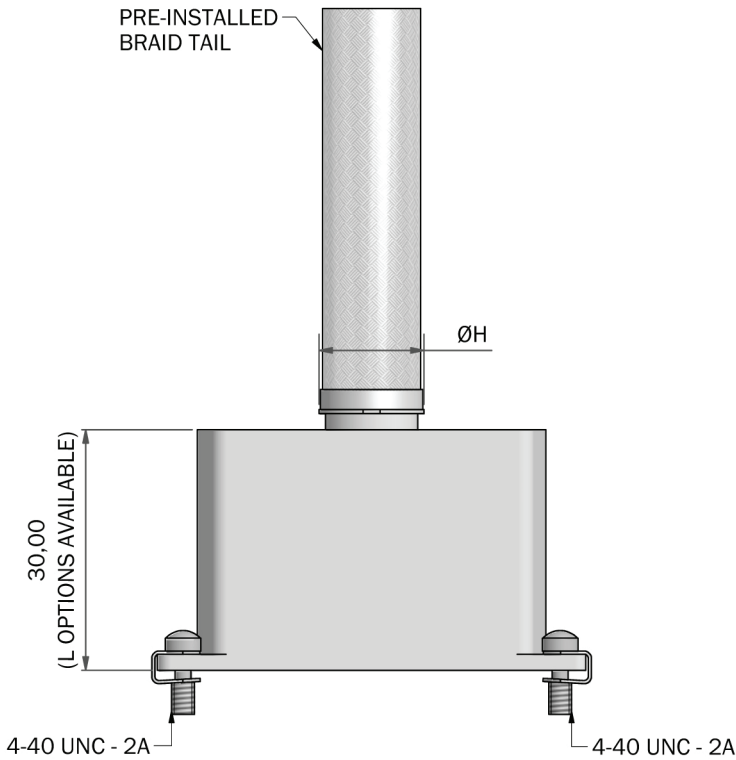
D** * _ 70Series

D-SUB Magnaform Adaptor Pre-installed Braid Tail

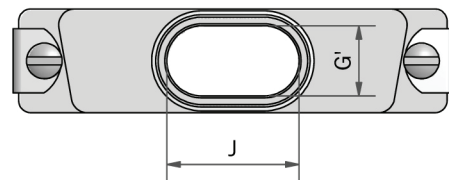


Interconnect Solutions Worldwide

ANGLE 1 - TOP ENTRY



ELONGATED ENTRY



EXAMPLE PART NUMBER: D25-1-70-06-1-C-L35

D25 =	D-SUB BACKSHELL, SHELL SIZE
1 =	ANGLE (1 - TOP ENTRY)
70 =	TERMINATION STYLE (70 - MAGNAFORM)
06 =	ENTRY SIZE
1 =	MATERIAL (ALUMINIUM ALLOY)
C =	PLATING: CLICK TO SEE OPTIONS
L35 =	OPTIONAL HEIGHT IN MM (OMIT FOR STANDARD 30MM)

Tel: +44 (0)845 017 1545

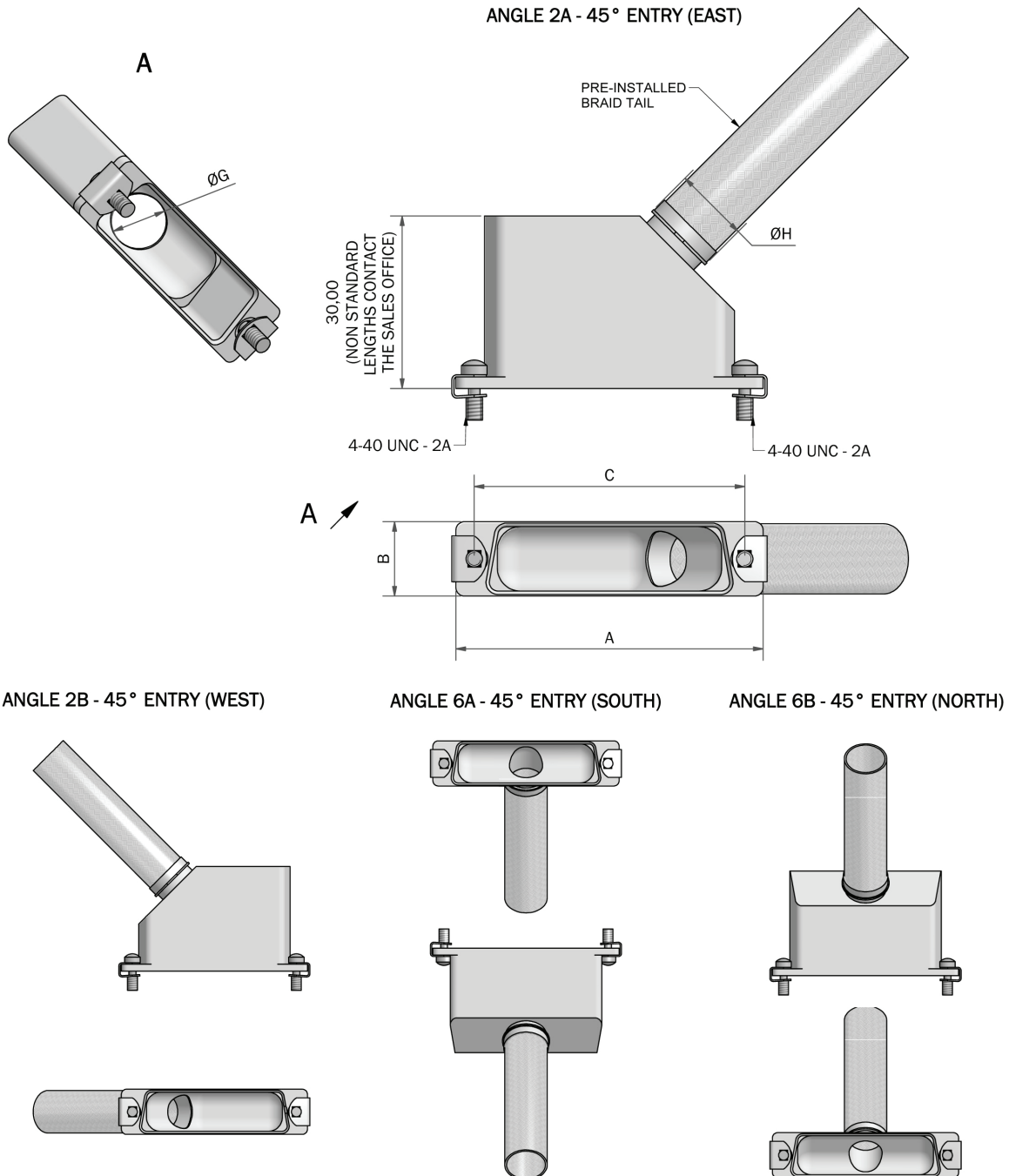
DRAWING NOT TO SCALE
DIMENSIONS IN MM

D** * _ 70Series

D-SUB Magnaform Adaptor Pre-installed Braid Tail



Interconnect Solutions Worldwide



EXAMPLE PART NUMBER: D25-2A-70-06-1-C-L35

D25 =	D-SUB BACKSHELL, SHELL SIZE
2A =	ANGLE (45° ENTRY (HANDED))
70 =	TERMINATION STYLE (70 - MAGNAFORM)
06 =	ENTRY SIZE
1 =	MATERIAL (ALUMINIUM ALLOY)
C =	PLATING: CLICK TO SEE OPTIONS
L35 =	OPTIONAL HEIGHT IN MM (OMIT FOR STANDARD 30MM)

www.polamco.com

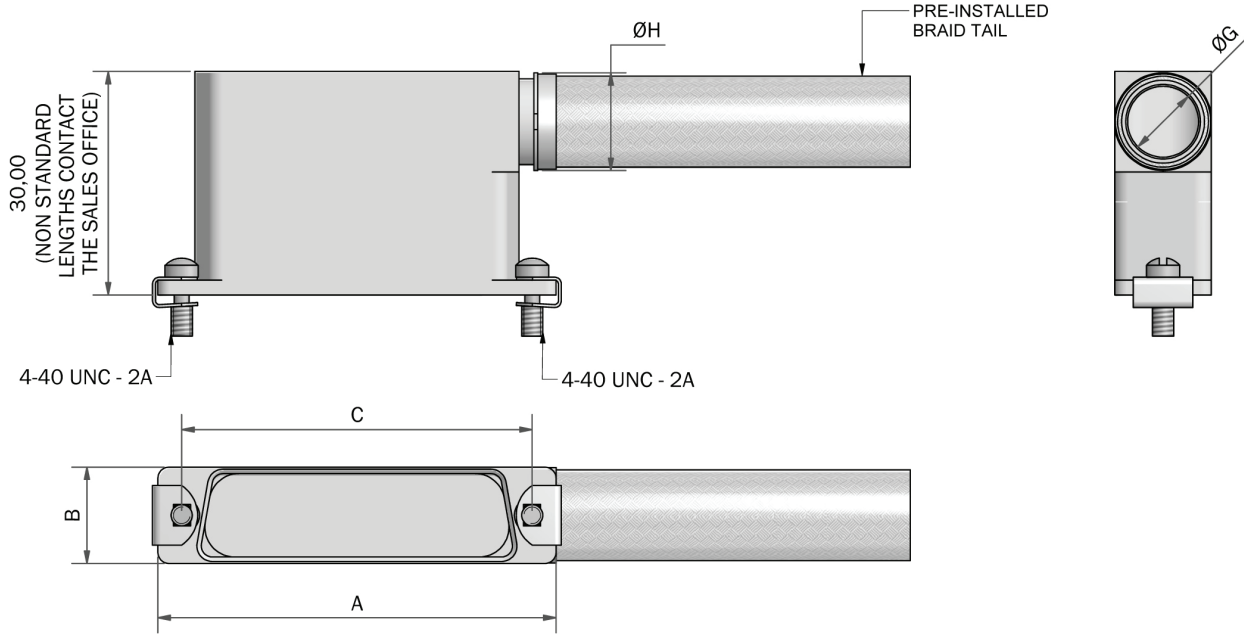
D** * 70Series

D-SUB Magnaform Adaptor Pre-installed Braid Tail

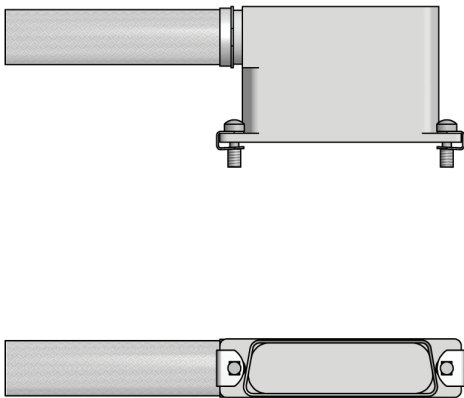


Interconnect Solutions Worldwide

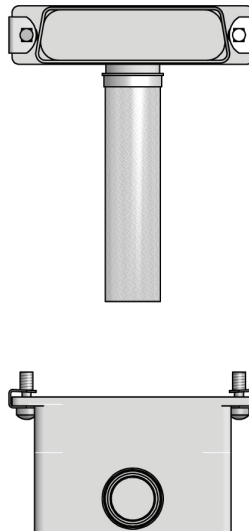
ANGLE 3A - 90° ENTRY (EAST)



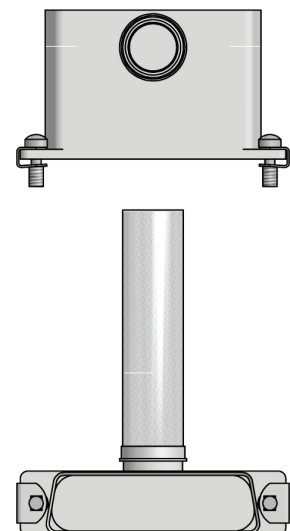
ANGLE 3B - 90° ENTRY (WEST)



ANGLE 7A - 90° ENTRY (SOUTH)



ANGLE 7B - 90° ENTRY (NORTH)



EXAMPLE PART NUMBER: D25-3A-70-06-1-C-L35

D25 =	D-SUB BACKSHELL, SHELL SIZE
3A =	ANGLE (90° ENTRY (HANCED))
70 =	TERMINATION STYLE (70 - MAGNAFORM)
06 =	ENTRY SIZE
1 =	MATERIAL (ALUMINIUM ALLOY)
C =	PLATING: CLICK TO SEE OPTIONS
L35 =	OPTIONAL HEIGHT IN MM (OMIT FOR STANDARD 30MM)

Tel: +44 (0)845 017 1545

DRAWING NOT TO SCALE
DIMENSIONS IN MM

D** * _ 70Series

D-SUB Magnaform Adaptor Pre-installed Braid Tail



Interconnect Solutions Worldwide

TABLE 1

SHELL SIZE	A	B	C	MAX ENTRY (CIRCULAR)	MAX ENTRY (ELONGATED)
09	31,19	12,93	25,00	06	09E
15	39,52	12,93	33,33	06	10E
25	53,42	12,93	47,04	06	12E
37	69,76	12,93	63,50	06	12E
50	67,31	15,75	61,12	08	12E
104	69,70	17,35	63,50	09	12E

TABLE 2

ENTRY SIZE	G	G'	H	J
01	3,18	-	9,0	-
02	4,75	-	9,0	-
03	6,86	-	13,1	-
04	7,37	-	13,1	-
05	7,92	-	13,1	-
06	9,52	-	13,1	-
07	10,67	-	15,9	-
07E	-	8,75	-	12,5
08	12,70	-	15,9	-
08E	-	8,75	-	16,5
09E	-	8,75	-	20,5
10E	-	8,75	-	25,0
11E	-	8,75	-	29,5
12E	-	8,75	-	35,0