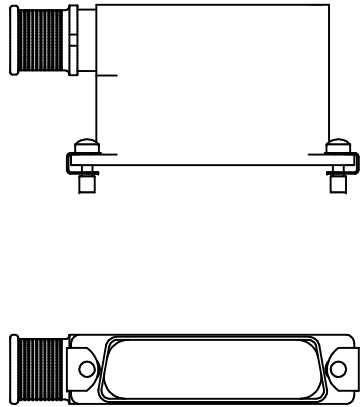
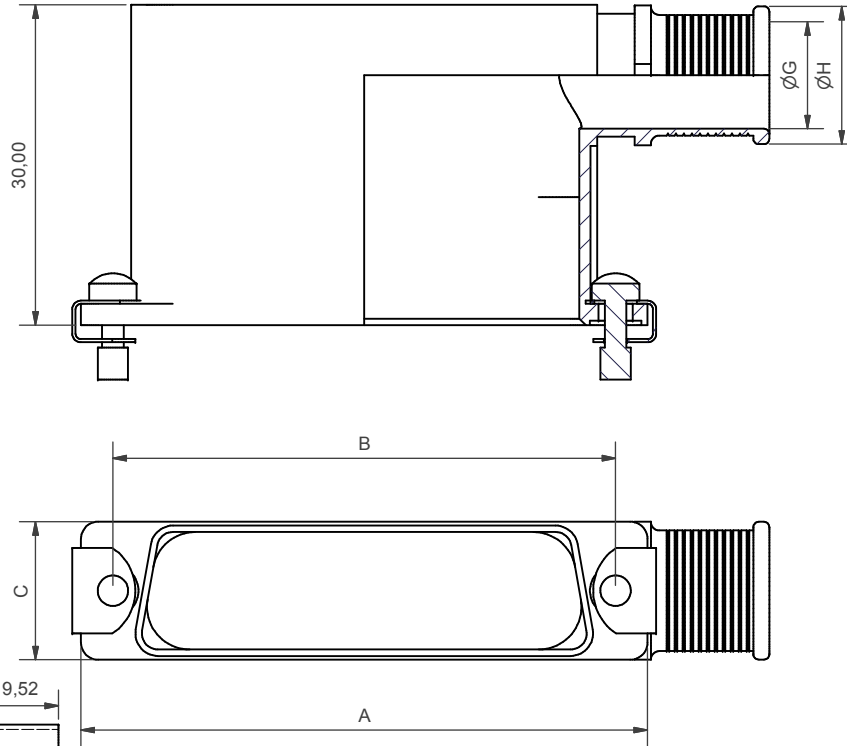


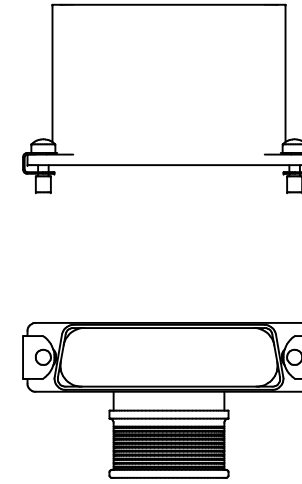
ANGLE 3B



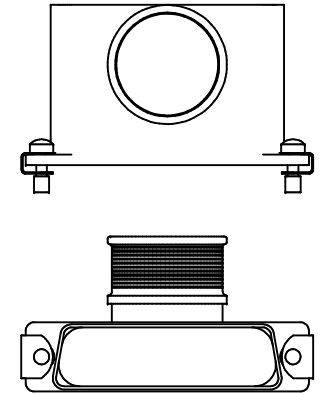
ANGLE 3A



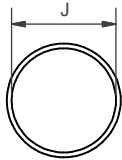
ANGLE 7A



ANGLE 7B



SPRING REF.	J
HE050	7,34
HE100	9,22
HE200	14,50



SHELL SIZE	A	B	C	MAX ENTRY ANGLE 3A/B	MAX ENTRY ANGLE 7A/B
09	31,0	24,99	12,93	06	08
15	39,5	33,32	12,93	06	11
25	53,0	47,04	12,93	06	12
37	69,5	63,50	12,93	06	12
50	66,9	61,11	15,75	08	12
104	69,4	63,50	17,35	09	12

ENTRY SIZE	G	H MAX
01	3,18	9,0
02	4,75	9,0
03	6,86	13,1
04	7,37	13,1
05	7,92	13,1
06	10,03	16,5
07	10,67	16,5
08	12,70	16,5
09	14,27	17,5
10	15,88	19,1
11	17,47	20,7
12	19,05	22,3

NOTES:  
STANDARD BACKSHELL DEPTH - 30,0mm  
FOR ALTERNATIVE OPTIONS PLEASE CONSULT SALES OFFICE

ASSEMBLY CONSISTS OF:  
1. LOCKING HARDWARE  
2. SPRING

D25-3A-91-06-1-C  
CONNECTOR TYPE  
CONNECTOR SHELL SIZE  
ANGLE  
ENTRY STYLE (91 - SPRING TERMINATION)  
ENTRY SIZE  
MATERIAL  
PLATING

SPRING ADAPTOR	<b>D SUB-MINIATURE</b>
	TO FIT CONNECTOR MIL-C-24308
THIS DRAWING IS THE COPYRIGHT AND THE PROPERTY OF POLAMCO LTD. IT MUST NOT BE COPIED, USED FOR MANUFACTURE OR OTHERWISE DISCLOSED WITHOUT WRITTEN CONSENT OF THE COMPANY	
	<b>POLAMCO LTD</b> WESTON LOCK LOWER BRISTOL ROAD BATH BA2 1EP