

39 SERIES

RFI/EMI CABLE SEALING ADAPTOR

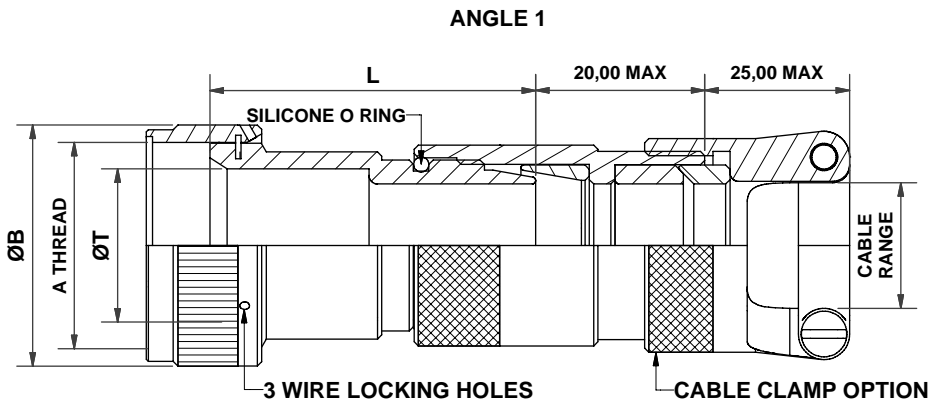
INTERFACE: A

TO FIT TYPICAL CONNECTOR: MIL-DTL-26482 SERIES II / MIL-DTL-83723 SERIES I & III

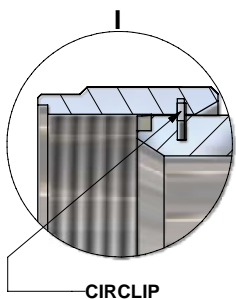
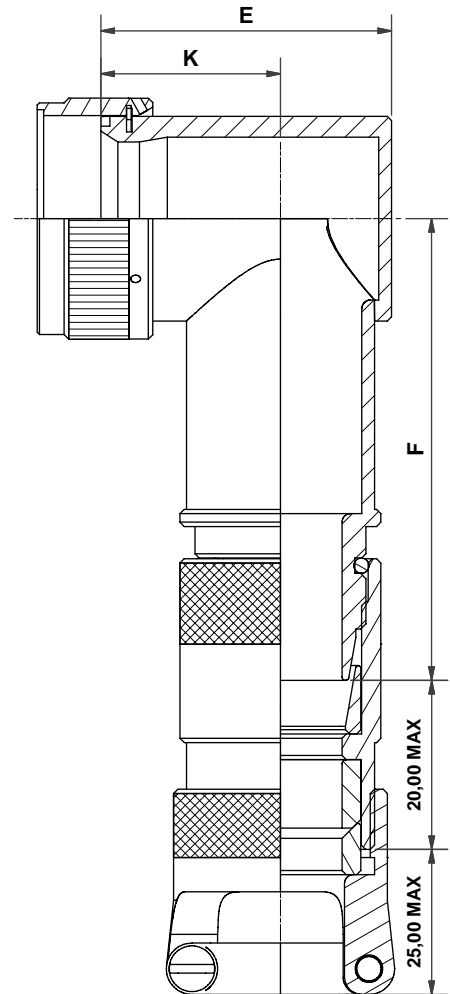
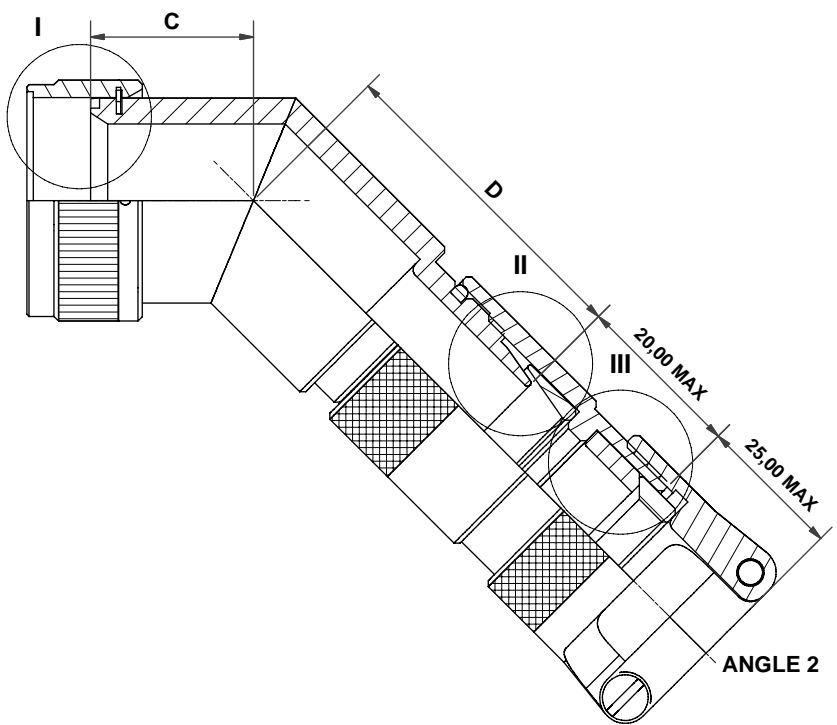
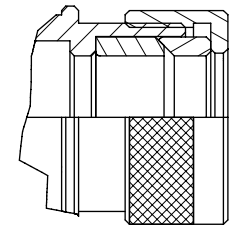
For modifications see page:



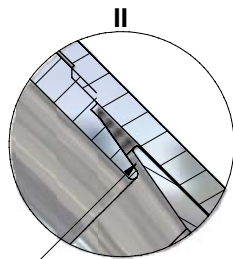
➤ Visit our on-line catalogue or contact sales on ➤ www.polamco.com ➤ sales@polamco.co.uk



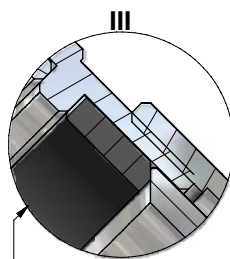
PLAIN NUT OPTION



CIRCLIP



GROUNDING CONE



SILICONE
CABLE SEALING
GROMMET

DRAWING NOT TO SCALE
DIMENSIONS IN MM

NCAGE CODE U5792



39 SERIES

RFI/EMI CABLE SEALING ADAPTOR

INTERFACE: A

TO FIT TYPICAL CONNECTOR: MIL-DTL-26482 SERIES II / MIL-DTL-83723 SERIES I & III

For modifications see page:



➤ Visit our on-line catalogue or contact sales on ➤ www.polamco.com ➤ sales@polamco.co.uk

EXAMPLE PART NUMBER	39	A	1	- 16	- 08	- 1	- C	- CC	- L3
SERIES									
CONNECTOR INTERFACE									
ANGLE									
SHELL SIZE (TABLE 1)									
ENTRY SIZE (TABLE 2)									
MATERIAL (1-ALUMINIUM ALLOY)									
PLATING (TABLE 3)									
CABLE CLAMP OPTION									
LENGTH CODE (STRAIGHT ONLY) (1/2" INCREMENTS, MINIMUM L2 (= 1"))									

SHELL SIZE	A THREAD	B MAX	T MIN	MAX ENTRY	C MAX	D MAX	E MAX	F MAX	K +/- 0,5
08	1/2-20 UNF	15,6	6,5	-	16,8	30,5	24,7	39,2	17,5
10	5/8-24 UNEF	18,6	9,2	04	17,0	30,5	26,7	42,3	17,8
12	3/4-20 UNEF	21,7	12,7	06	17,5	32,5	29,2	42,8	18,7
14	7/8-20 UNEF	24,9	14,6	08	18,3	40,3	30,7	50,5	19,0
16	1-20 UNEF	28,2	17,7	10	19,2	43,1	34,2	52,8	21,0
18	1 1/16-18 UNEF	30,9	19,7	12	19,4	47,9	37,2	57,1	23,5
20	1 3/16-18 UNEF	34,1	22,9	12	20,3	47,9	42,2	57,1	27,0
22	1 5/16-18 UNEF	37,3	26,1	16	20,5	56,5	44,2	64,7	27,0
24	1 7/16-18 UNEF	40,4	29,0	16	22,0	56,5	45,2	64,7	27,0

ENTRY SIZE	CABLE RANGE
04	3,2 - 7,9
06	6,4 - 11,1
08	9,8 - 14,3
10	8,9 - 15,9
12	12,7 - 19,1
16	15,9 - 23,8
20	22,2 - 31,8
24	25,4 - 34,9
28	31,8 - 41,3
32	36,5 - 47,6

CODE	PLATING
B	CADMIUM OLIVE DRAB OVER ELECTROLESS NICKEL
C	ELECTROLESS NICKEL
ZB	ZINC COBALT OLIVE DRAB OVER ELECTROLESS NICKEL

LIST NOT EXHAUSTIVE - FOR COMPREHENSIVE LIST AND SPECS SEE WEBSITE

DRAWING NOT TO SCALE
DIMENSIONS IN MM

NCAGE CODE U5792

