

37 Series

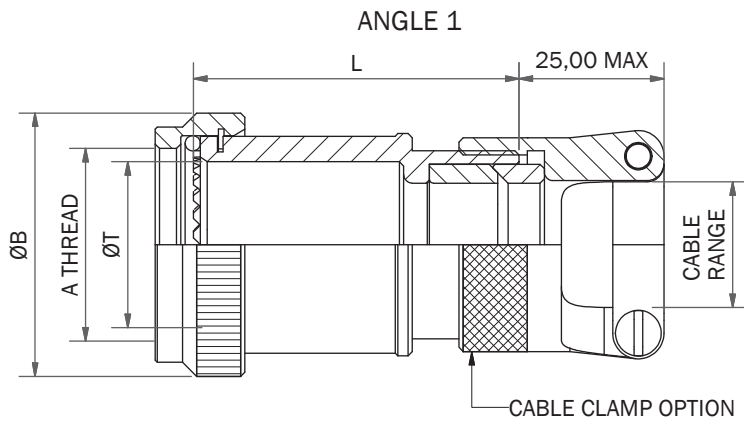
Cable Sealing Adaptor

Interface F

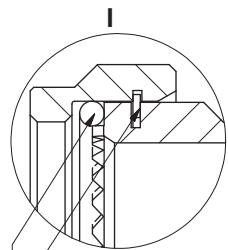
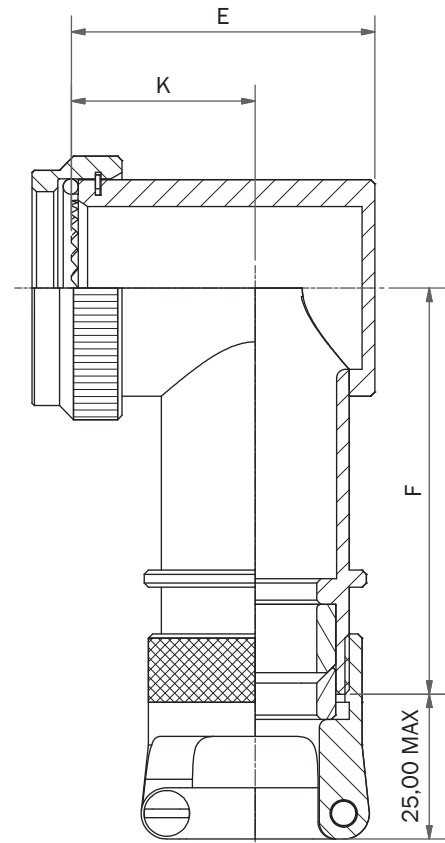
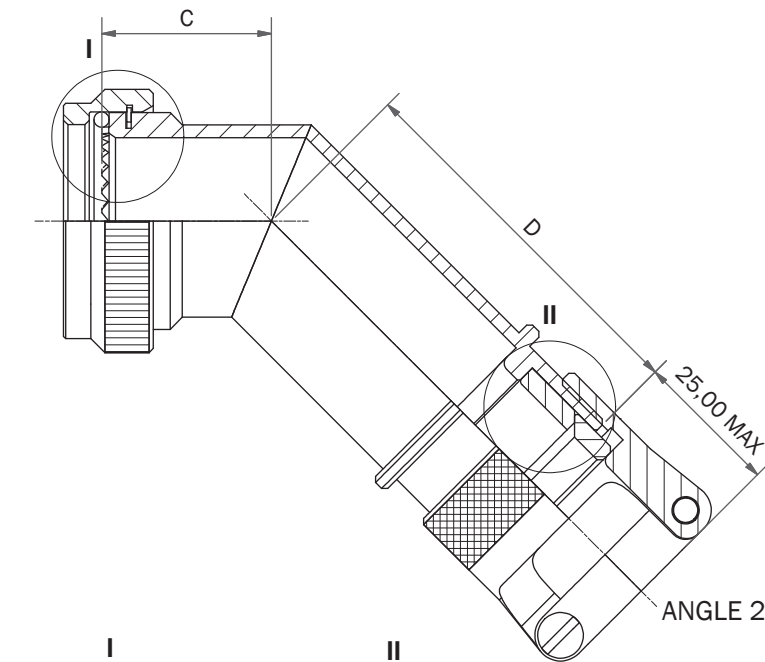
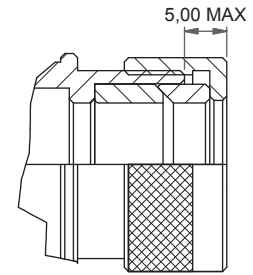
To fit typical connector: MIL-DTL-38999 SERIES II



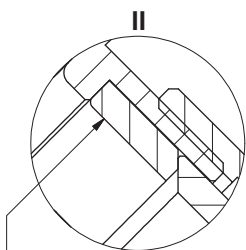
Interconnect Solutions Worldwide



PLAIN NUT OPTION



CIRCLIP
SILICONE O RING



SILICONE
CABLE SEALING
GROMMET

DIMENSIONS AND O RING MATERIAL APPLY FOR ALUMINIUM ONLY. FOR OTHER MATERIALS CONSULT FACTORY
PART NUMBER AND BATCH CODE WILL BE MARKED ON THE ASSEMBLY UNLESS OTHERWISE SPECIFIED

Tel: +44 (0)845 017 1545

37 Series

Cable Sealing Adaptor

Interface F

To fit typical connector: MIL-DTL-38999 SERIES II



Interconnect Solutions Worldwide

EXAMPLE PART NUMBER: 37F1-16-08-1-C-CC-L3	
37 =	POLAMCO SERIES
F =	CONNECTOR INTERFACE (MIL-DTL-38999 SERIES II)
1 =	ANGLE - 1 = STRAIGHT 2 = 45° 3 = 90°
16 =	SHELL SIZE (TABLE 1)
08 =	ENTRY SIZE (TABLE 2)
1 =	MATERIAL (ALUMINIUM ALLOY)
C =	PLATING: CLICK TO SEE OPTIONS
CC =	CABLE CLAMP OPTION
L3 =	LENGTH CODE (STRAIGHT ONLY) (1/2" INCREMENTS, MINIMUM L2 (= 1"))

TABLE 1									
SHELL SIZE	A THREAD	B MAX	T MIN	MAX ENTRY	C MAX	D MAX	E MAX	F MAX	K +/- 0,5
08	7/16-28 UNEF	18,3	6,6	-	16,4	35,8	22,7	36,1	15,0
10	9/16-24 UNEF	21,5	10,1	04	17,2	37,3	26,2	39,1	17,0
12	11/16-24 UNEF	24,5	12,9	06	17,6	38,9	29,2	39,6	18,0
14	13/16-20 UNEF	27,8	16,1	10	18,5	41,1	32,2	41,4	20,0
16	15/16-20 UNEF	30,8	19,3	12	19,2	43,9	35,7	48,0	21,5
18	1 1/16-18 UNEF	34,1	21,7	12	19,6	48,8	39,7	50,8	23,0
20	1 3/16-18 UNEF	37,3	24,9	16	20,4	50,1	42,2	50,8	25,0
22	1 5/16-18 UNEF	40,5	28,1	16	20,8	52,6	45,2	50,8	26,0
24	1 7/16-18 UNEF	43,7	31,3	16	21,7	54,0	48,2	50,8	28,0

IF MAX ENTRY IS EXCEEDED, ADAPTOR ASSEMBLY IS SUPPLIED AS STYLE T2 (T2 DOES NOT FEATURE IN THE PART NUMBER)
IN WHICH CASE DIMENSIONS C, D, E, F & K DO NOT APPLY AND MIN L IS L3

TABLE 2	
ENTRY SIZE	CABLE RANGE
04	3,2 - 7,9
06	6,4 - 11,1
08	9,8 - 14,3
10	8,9 - 15,9
12	12,7 - 19,1
16	15,9 - 23,8
20	22,2 - 31,8
24	25,4 - 34,9
28	31,8 - 41,3
32	36,5 - 47,6

www.polamco.com